

LUHB4 Series - 100W

Descriptions

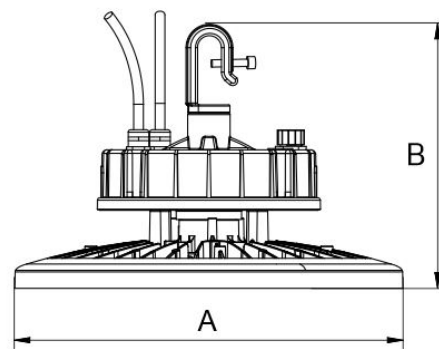
The LUHB4 Series is UFO shape LED High Bay with low-profile design, excellent cooling structure. It is ideal for commercial areas such as warehouse, station, supermarket, or exhibition hall. It provides multiple mounting constructions for various mounting request. Adjustable Wattage on selected models. UL listed for wet locations. DLC 5.1 Premium Listed.



General Specifications

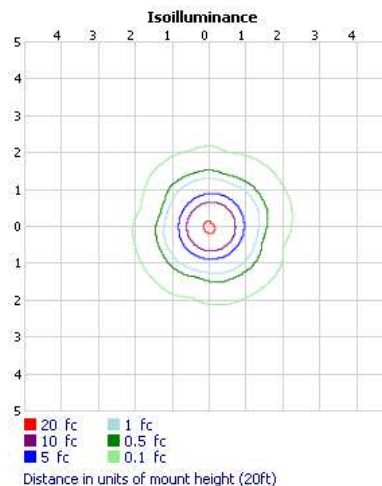
	Spec	LUHB4-100W-CW
Electrical	Input Voltage	120~277V
	Wattage	100W
	Power Factor	> 0.9
Light Output	Lumens	15000 lm
	Efficacy	150 lm/W
	CRI	80+
	Color Temp.	5000K
	Equivalent	400W
Physical	Housing	ADC12 Die Cast Aluminum
	Finish	UV Resistant Black Powder Coat Finish
	Lens Material	High Light Transmittance Polycarbonate Lens
	Ambient Operating Temp	-40°C / -40°F to 50°C / 122°F
	Mount (Sold Separately)	Hook, Pendant, Trunnion
Other	Certification	cULus E335594; DLC 5.1 Premium

Dimensions



A x B:
 100W: 12-5/8" x 8-9/16"

Photometrics



- ▶ Lifespan: **50,000 hrs**
- ▶ Beam Angle: **90°**
- ▶ Warranty: **5 Year Limited Warranty**
- ▶ Dimmable: **0-10V/PWM/VR**
- ▶ **UL listed for Wet Location**



Item No.	Description	Std. Pkg.
LUHB4-100W-CW	LED UFO HIGHBAY 100W 120~277V 5000K CW - BLACK	1
LUHB4-T-100	SURFACE MOUNT BRACKET FOR LUHB4 100W-150W	40



LUHB4 Series - 150W (Adjustable Wattage Model)

Descriptions

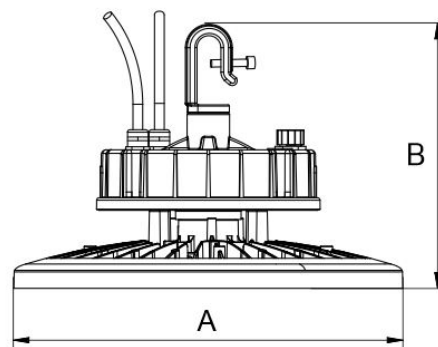
The LUHB4 Series is UFO shape LED High Bay with low-profile design, excellent cooling structure. It is ideal for commercial areas such as warehouse, station, supermarket, or exhibition hall. It provides multiple mounting constructions for various mounting request. Adjustable Wattage on selected models. UL listed for wet locations. DLC 5.1 Premium Listed.



General Specifications

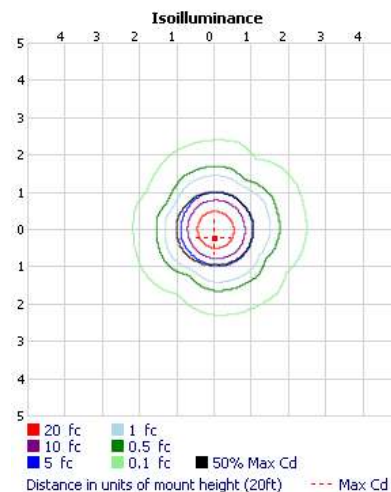
	Spec	LUHB4-150W-CW
Electrical	Input Voltage	120~277V
	Wattage Range	50W/80W/100W/150W
	Power Factor	> 0.9
Light Output	Lumens Range	7400lm/11840lm/14800lm/22200lm
	Efficacy	148 lm/W
	CRI	80+
	Color Temp.	5000K
Physical	Equivalent	750W
	Housing	ADC12 Die Cast Aluminum
	Finish	UV Resistant Black Powder Coat Finish
	Lens Material	High Light Transmittance Polycarbonate Lens
	Ambient Operating Temp	-40°C / -40°F to 50°C / 122°F
Other	Mount (Sold Separately)	Hook, Pendant, Trunnion
Other	Certification	cULus E335594; DLC 5.1 Premium

Dimensions



A x B:
 150W: 12-5/8" x 8-9/16"

Photometrics



- ▶ Lifespan: **50,000 hrs**
- ▶ Beam Angle: **90°**
- ▶ Warranty: **5 Year Limited Warranty**
- ▶ Dimmable: **0-10V/PWM/VR**
- ▶ **UL listed for Wet Location**
- ▶ **Features:**
 - Adjustable Wattage: 50W/80W/100W/150W



Adjustable Wattage
 DIP Switch with Cover
KEEP COVER ON FOR WATERPROOF



Item No.	Description	Std. Pkg.
LUHB4-150W-CW	LED UFO HIGHBAY 150W 120~277V 5000K CW - BLACK	1
LUHB4-T-100	SURFACE MOUNT BRACKET FOR LUHB4 100W-150W	40



LUHB4 Series - 230W

Descriptions

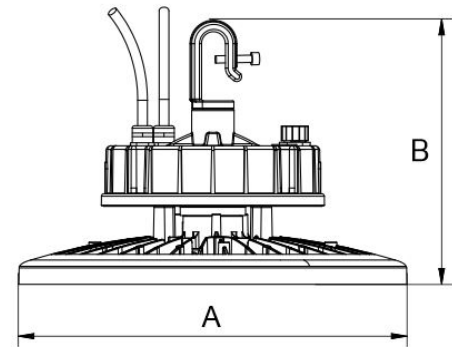
The LUHB4 Series is UFO shape LED High Bay with low-profile design, excellent cooling structure. It is ideal for commercial areas such as warehouse, station, supermarket, or exhibition hall. It provides multiple mounting constructions for various mounting request. Adjustable Wattage on selected models. UL listed for wet locations. DLC 5.1 Premium Listed.



General Specifications

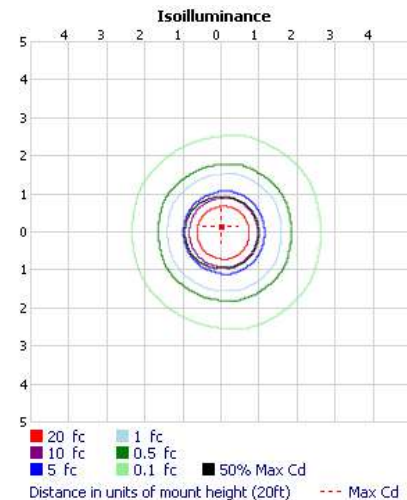
	Spec	LUHB4-230W-CW
Electrical	Input Voltage	120~277V
	Wattage	230W
	Power Factor	> 0.9
Light Output	Lumens	33350 lm
	Efficacy	145 lm/W
	CRI	80+
	Color Temp.	5000K
	Equivalent	1000W
Physical	Housing	ADC12 Die Cast Aluminum
	Finish	UV Resistant Black Powder Coat Finish
	Lens Material	High Light Transmittance Polycarbonate Lens
	Ambient Operating Temp	-40°C / -40°F to 50°C / 122°F
	Mount (Sold Separately)	Hook, Pendant, Trunnion
Other	Certification	cULus E335594; DLC 5.1 Premium

Dimensions



A x B:
230W: 14-3/16" x 8-1/2"

Photometrics



- ▶ Lifespan: **50,000 hrs**
- ▶ Beam Angle: **90°**
- ▶ Warranty: **5 Year Limited Warranty**
- ▶ Dimmable: **0-10V/PWM/VR**
- ▶ **UL listed for Wet Location**



Item No.	Description	Std. Pkg.
LUHB4-230W-CW	LED UFO HIGHBAY 230W 120~277V 5000K CW - BLACK	1
LUHB4-T-230	SURFACE MOUNT BRACKET FOR LUHB4 230W-300W	40



LUHB4 Series - 300W (Adjustable Wattage Model)

Descriptions

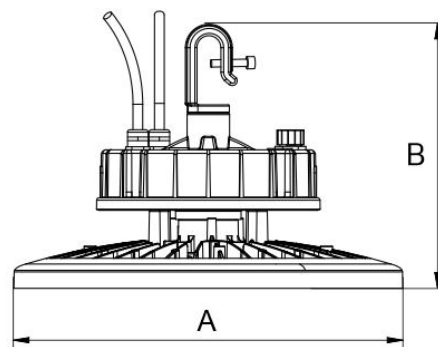
The LUHB4 Series is UFO shape LED High Bay with low-profile design, excellent cooling structure. It is ideal for commercial areas such as warehouse, station, supermarket, or exhibition hall. It provides multiple mounting constructions for various mounting request. Adjustable Wattage on selected models. UL listed for wet locations. DLC 5.1 Premium Listed.



General Specifications

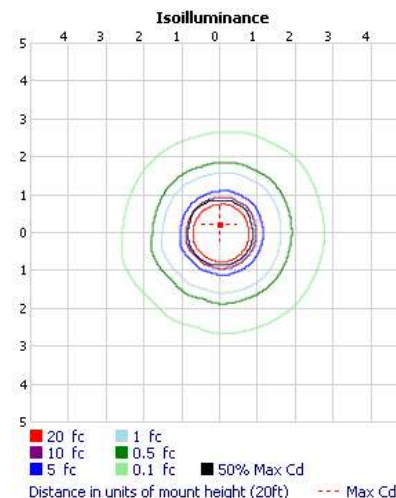
	Spec	LUHB4-300W-CW
Electrical	Input Voltage	120~277V
	Wattage Range	150W/200W/240W/300W
	Power Factor	> 0.9
Light Output	Lumens Range	21000lm/28000lm/33600lm/42000lm
	Efficacy	140 lm/W
	CRI	80+
	Color Temp.	5000K
	Equivalent	1000W
Physical	Housing	ADC12 Die Cast Aluminum
	Finish	UV Resistant Black Powder Coat Finish
	Lens Material	High Light Transmittance Polycarbonate Lens
	Ambient Operating Temp	-40°C / -40°F to 50°C / 122°F
	Mount (Sold Separately)	Hook, Pendant, Trunion
Other	Certification	cULus E335594; DLC 5.1 Premium

Dimensions



A x B:
 300W: 15-3/4" x 8-7/16"

Photometrics



- ▶ Lifespan: **50,000 hrs**
- ▶ Beam Angle: **90°**
- ▶ Warranty: **5 Year Limited Warranty**
- ▶ Dimmable: **0-10V/PWM/VR**
- ▶ **UL listed for Wet Location**
- ▶ **Features:**
 - Adjustable Wattage: 150W/200W/240W/300W



Adjustable Wattage
 DIP Switch with Cover
KEEP COVER ON FOR WATERPROOF



Item No.	Description	Std. Pkg.
LUHB4-300W-CW	LED UFO HIGHBAY 300W 120~277V 5000K CW - BLACK	1
LUHB4-T-230	SURFACE MOUNT BRACKET FOR LUHB4 230W-300W	40



LUHB4 Series 480V - 230W

Descriptions

The LUHB4 Series is UFO shape LED High Bay with low-profile design, excellent cooling structure. It is ideal for commercial areas such as warehouse, station, supermarket, or exhibition hall. It provides multiple mounting constructions for various mounting request. Adjustable Wattage on selected models. UL listed for wet locations. DLC 5.1 Premium Listed.

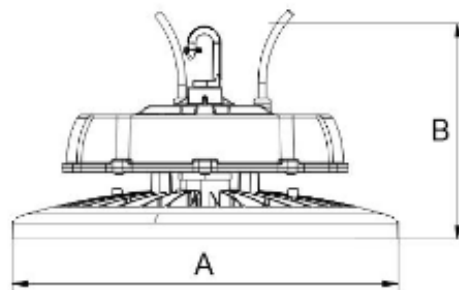
General Specifications

	Spec	LUHB4-230W-CW-480V
Electrical	Input Voltage	277~480V
	Wattage	230W
	Power Factor	> 0.9
Light Output	Lumens	32890 lm
	Efficacy	143 lm/W
	CRI	80+
	Color Temp.	5000K
	Equivalent	1000W
Physical	Housing	ADC12 Die Cast Aluminum
	Finish	UV Resistant Black Powder Coat Finish
	Lens Material	High Light Transmittance Polycarbonate Lens
	Ambient Operating Temp	-40°C / -40°F to 50°C / 122°F
	Mount (Sold Separately)	Hook, Pendant, Trunnion
Other	Certification	cULus E335594; DLC 5.1 Premium



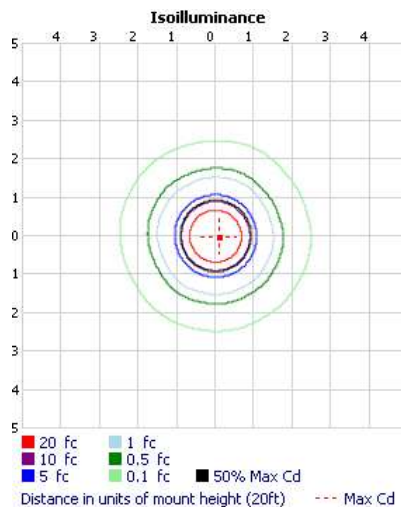
Dimensions

Dimensions



A x B:
230W: 14-3/16" x 8-7/8"

Photometrics



- ▶ Lifespan: **50,000 hrs**
- ▶ Beam Angle: **90°**
- ▶ Warranty: **5 Year Limited Warranty**
- ▶ Dimmable: **0-10V/PWM/VR**
- ▶ **UL listed for Wet Location**



Item No.	Description	Std. Pkg.
LUHB4-230W-CW-480V	LED UFO HIGHBAY 230W 277~480V 5000K CW - BLACK	1
LUHB4-T-230	SURFACE MOUNT BRACKET FOR LUHB4 230W-300W	40



LUHB4 Series 480V - 300W

Descriptions

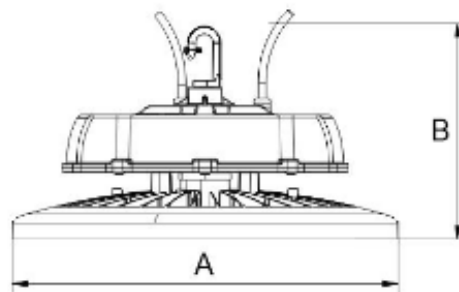
The LUHB4 Series is UFO shape LED High Bay with low-profile design, excellent cooling structure. It is ideal for commercial areas such as warehouse, station, supermarket, or exhibition hall. It provides multiple mounting constructions for various mounting request. Adjustable Wattage on selected models. UL listed for wet locations. DLC 5.1 Premium Listed.

General Specifications

	Spec	LUHB4-300W-CW-480V
Electrical	Input Voltage	277~480V
	Wattage	300W
	Power Factor	> 0.9
Light Output	Lumens	42900 lm
	Efficacy	143 lm/W
	CRI	80+
	Color Temp.	5000K
	Equivalent	1000W
Physical	Housing	ADC12 Die Cast Aluminum
	Finish	UV Resistant Black Powder Coat Finish
	Lens Material	High Light Transmittance Polycarbonate Lens
	Ambient Operating Temp	-40°C / -40°F to 50°C / 122°F
	Mount (Sold Separately)	Hook, Pendant, Trunnion
Other	Certification	cULus E335594; DLC 5.1 Premium

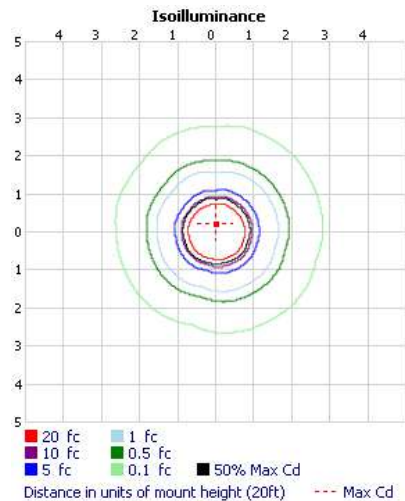


Dimensions



A x B:
300W: 15-3/4" x 8-7/8"

Photometrics



- ▶ Lifespan: **50,000 hrs**
- ▶ Beam Angle: **90°**
- ▶ Warranty: **5 Year Limited Warranty**
- ▶ Dimmable: **0-10V/PWM/VR**
- ▶ **UL listed for Wet Location**



PHILIPS
LUMILEDS



Item No.

Description

Std. Pkg.

LUHB4-300W-CW-480V LED UFO HIGHBAY 300W 277~480V 5000K CW - BLACK
 LUHB4-T-230 SURFACE MOUNT BRACKET FOR LUHB4 230W-300W

1
40

