

## SPECIFICATION & FEATURES

**Model No.: LSD-1501**

### DESCRIPTION:

#### LED Slide Dimmer - Single Pole

Dimming Control:

120VAC 60Hz

150W Dimmable LED/CFL

700W Incandescent

Ambient operating temperature: 32 °F to 104 °F  
(0 °C to 40 °C), 0% to 90% humidity

### CERTIFICATION & CODE COMPLIANCE:

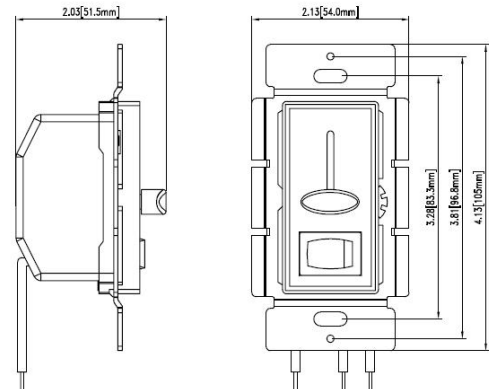
- ETL LISTED
- Conforms to ANSI/UL1472
- California Title 24



### FEATURES AND BENEFITS:

- Tough impact-resistant thermoplastic housing.
- Broad product offering to meet a wide variety of applications.
- Full-range dimming, lighting fade up and down smoothly allowing your eyes to adjust to changing light levels.
- Smooth-action slide control for easy precise operation.

### LINE DRAWINGS / DIMENSION:



### DIMMER CAPACITY CHART:

DERATING CHART			
	LOAD CAPACITY WHEN TABS ARE REMOVED		
	0 SIDE	1 SIDE	2 SIDES
<b>INCANDESCENT</b>	700W	600W	500W
<b>LED/CFL</b>	150W	150W	150W

