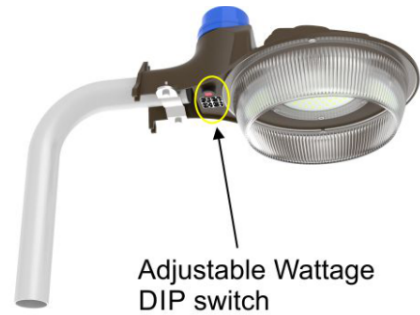


LAL1-50W (Adjustable Wattage Model)

Descriptions

The LAL1-50W-P Area Light - Adjustable Wattage version from Orbit Industries can help reduce the stock SKU. It is a powerful LED area light for everyday outdoor uses. Ideal for parking areas, outdoor recreational areas, or warehouses, its Die Cast design and low power consumption provide long reliable service. Wattage can be easily adjusted in field through built-in DIP switch. Twist-Lock Photocell installed. UL listed for Wet Locations. DLC 5.1 Premium Listed.

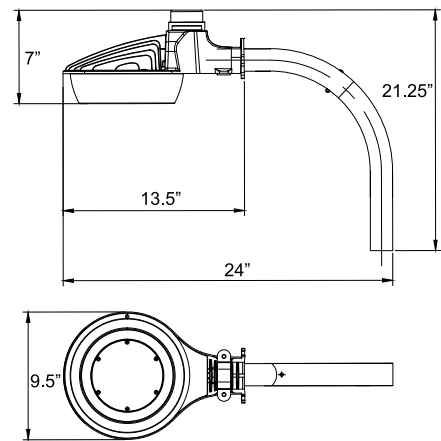


Adjustable Wattage DIP switch

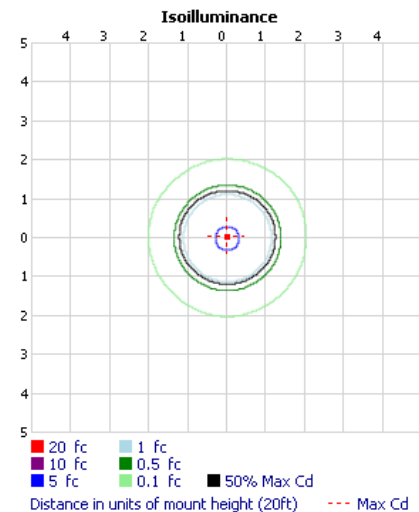
General Specifications

	Spec	LAL1-50W-P-CW
Electrical	Input Voltage	120~277V
	Wattage Range	20W/30W/40W/50W
	Power Factor	> 0.9
Light Output	Lumens Range	2760lm/4140lm/5520lm/6435lm
	Efficacy	138 lm/W
	CRI	70+
	Color Temp.	5000K
	BUG	B2-U3-G1
	Distribution Type	TYPE VS
Physical	Equivalent	Up to 175W
	Housing	ADC12 Die Cast Aluminum
	Finish	UV Resistant Bronze Powder Coat Finish
	Lens Material	Polycarbonate Lens with Weatherproof Gasket
	Ambient Operating Temp	-40°C / -40°F to 40°C / 104°F
Other	Mount	Wall Mount, 90° Extension Arm Included
	Certification	cULus E335594; DLC 5.1 Premium

Dimensions



Photometrics



- ▶ Lifespan: **50,000 hrs**
- ▶ Beam Angle: **103°**
- ▶ Warranty: **5 Year Limited Warranty**
- ▶ Dimmable: **0-10V**
- ▶ **UL listed for Wet Location**
- ▶ Twist-Lock Photocell Included
- ▶ **Features:**
- Adjustable Wattage:
20W/30W/40W/50W



Item No.	Description	Std. Pkg.
LAL1-50W-P-CW	LED AREA LIGHT 20W~50W ADJ. 120~277V 5000K Cool White W/ Photocell -Bronze	2

