

SPECIFICATION & FEATURES

DESCRIPTION:

Orbit Industries' threaded bridle rings are used to support communication cables and other low voltage wires. The bridle rings for wood stud (WS) can be easily screwed on wood studs. Other bridle rings can be installed with other Orbit Industries' fasteners to support low voltage cables from beams, purlins, rods, metal studs, etc. The bridle rings are not recommended to support high performance cables.

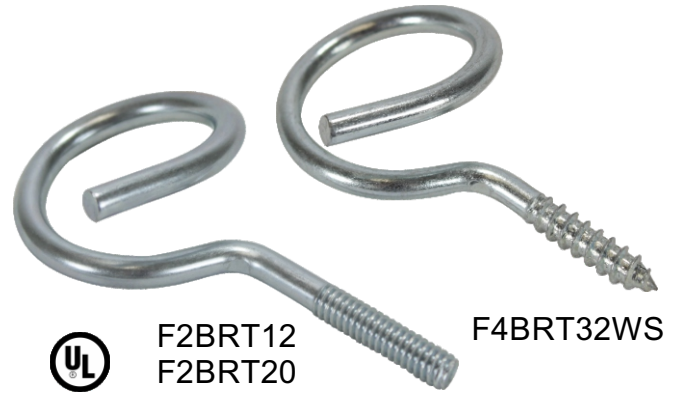
CERTIFICATION:

UL file E328572, conforms to UL 2239.

FEATURES:

- Electrogalvanized Steel
- Support low voltage communication cables from beams, rods or purlins combined with other Orbit fasteners

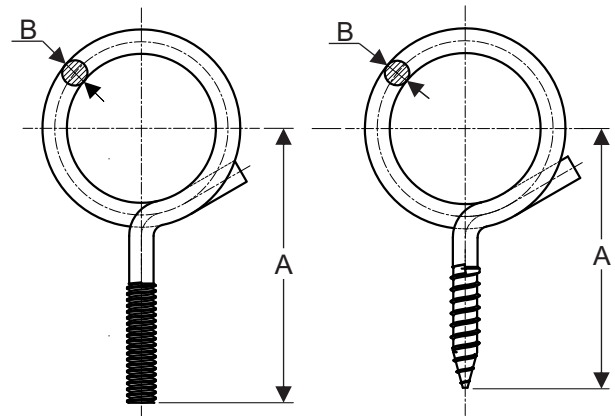
THREADED BRIDLE RINGS



F2BRT12
F2BRT20
F2BRT32
F4BRT20
F4BRT32
F4BRT64

F4BRT32WS

LINE DRAWINGS:



CONFIGURATION DATA:

| Part No. | Diameter | Thread Size | Screw Type | A (in) | B (in) | Static Load | Std. Pkg. |
|------------|----------|-------------|------------|--------|--------|-------------|-----------|
| F2BRT12 | 3/4" | #10-24 | Metal | 1.58 | 0.160 | 50 LB | 100 |
| *F2BRT20 | 1-1/4" | #10-24 | Metal | 1.83 | 0.160 | 50 LB | 100 |
| F2BRT32 | 2" | #10-24 | Metal | 2.20 | 0.160 | 50 LB | 100 |
| F4BRT20 | 1-1/4" | 1/4"-20 | Metal | 2.30 | 0.213 | 50 LB | 100 |
| F4BRT32 | 2" | 1/4"-20 | Metal | 2.68 | 0.213 | 50 LB | 100 |
| *F4BRT32WS | 2" | 1/4"-10 | Wood | 2.52 | 0.204 | 50 LB | 100 |
| F4BRT64 | 4" | 1/4"-20 | Metal | 3.68 | 0.213 | 50 LB | 50 |

* No UL Listed

