

SPECIFICATION & FEATURES

STEEL RIGID TO LIQUID TIGHT COUPLINGS COMPRESSION TYPE, 1/2" ~ 2"

DESCRIPTION:

Orbit Industries' Rigid to Liquid Tight Couplings provide fast installation to positively join rigid conduit to metallic or nonmetallic (Type B) liquid tight conduit. The end with female thread is for Rigid conduits and the other end is designed to slip on to the liquid tight conduits. The compression nut is designed to provide reliable installation of liquid tight conduits and decrease the risk of pullouts.



CERTIFICATION:

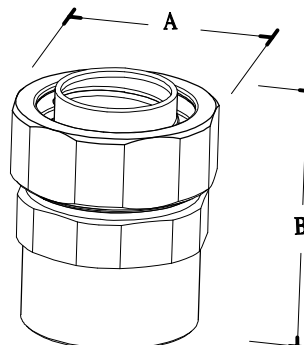
UL file E310658, conforms to UL 514B.



FEATURES:

- Steel
- Zinc plated for corrosion protection
- For connecting Liquidtight conduits to threaded Rigid/IMC conduits
- Concrete-Tight, Rain-Tight
- Dry location, wet location

LINE DRAWINGS:



CONFIGURATION DATA:

Part No.	RIGID Size	LT Size	A (in)	B (in)	Std. Pkg.	Master Ctn.
SRLTC-50	1/2"	1/2"	1.17	1.78	25	100
SRLTC-75	3/4"	3/4"	1.43	1.94	10	40
SRLTC-100	1"	1"	1.76	2.19	10	40
SRLTC-125	1-1/4"	1-1/4"	2.16	2.23	5	20
SRLTC-150	1-1/2"	1-1/2"	2.38	2.62	-	15
SRLTC-200	2"	2"	2.87	2.67	-	10

