

SPECIFICATION & FEATURES

DESCRIPTION:

Orbit Industries' Steel Strain Relief Cord-Grip connectors are used to secure and seal cords or cables entering enclosures or raceways.

The installation is easy: cords can be inserted without any disassembling fittings.

Orbit Industries strain relief cord-grip connectors have a minimum 0.125" to a maximum 1.050" cable range.

Trade Size from 1/2" To 1"

STEEL STRAIN RELIEF CORD-GRIP CONNECTORS 1/2" TO 1"



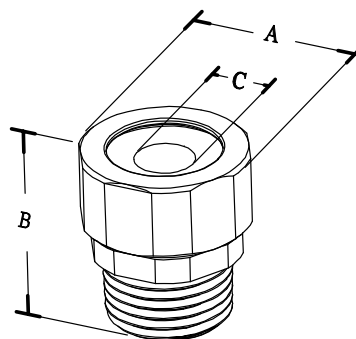
CERTIFICATION:

UL file E310661, conforms to UL 514B

FEATURES:

- Steel
- Zinc Electroplated
- Watertight
- Connect S,SO,ST,SJ,SJO, SJT Cord to metal box or enclosure
- Color-coded bushings identify different cord ranges

LINE DRAWINGS:



CONFIGURATION DATA:

Trade Size	A (in)	B (in)	C (in)	Color	Std. Pkg.	Master Ctn.
1/2"	1.11	1.23	0.125/0.250	Red	25	100
1/2"	1.11	1.23	0.250/0.350	White	20	100
1/2"	1.11	1.23	0.350/0.450	Blue	20	100
1/2"	1.11	1.23	0.450/0.560	Green	20	100
1/2"	1.11	1.23	0.560/0.650	Beige	20	100
3/4"	1.11	1.23	0.125/0.250	Red	10	50
3/4"	1.11	1.23	0.250/0.350	White	10	50
3/4"	1.33	1.38	0.350/0.450	Blue	10	50
3/4"	1.33	1.38	0.450/0.560	Green	10	50
3/4"	1.33	1.38	0.560/0.650	Beige	10	50
3/4"	1.33	1.38	0.650/0.750	Yellow	10	50
3/4"	1.33	1.61	0.750/0.850	Purple	10	50
1"	1.63	1.61	0.450/0.560	Green	5	25
1"	1.63	1.61	0.560/0.650	Beige	5	25
1"	1.63	1.61	0.650/0.750	Yellow	5	25
1"	1.63	1.61	0.750/0.850	Purple	5	25
1"	1.63	1.61	0.850/0.950	Gray	5	25
1"	1.63	1.61	0.950/0.1050	Black	5	25

