

## SPECIFICATION & FEATURES

### DESCRIPTION:

Orbit Industries' Zinc Die Cast Watertight Service Entrance Cable Connectors are used to secure and seal oval type service entrance cables to a threaded entry of a box or enclosure.

The installation is easy: cords can be inserted without any disassembling fittings.

Orbit Industries' service entrance cable connectors have a minimum 0.40" to a maximum 1.73" opening range. Trade Size from 1" To 2"

## ZINC WATERTIGHT SERVICE ENTRANCE CABLE CONNECTORS 1" TO 2"



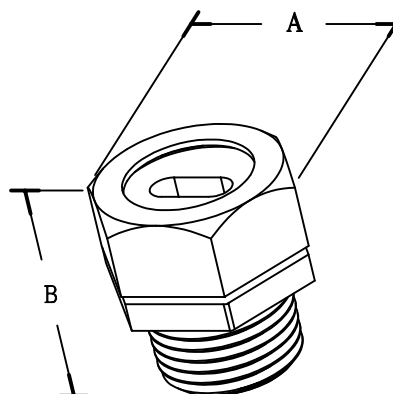
### CERTIFICATION:

UL file E310661, conforms to UL 514B

### FEATURES:

- Zinc Die Cast
- Watertight
- Wire size range: #8 to #4/0

### LINE DRAWINGS:



### CONFIGURATION DATA:

Part No.	Trade Size	Wire Size	A (in)	B (in)	Grommet Opening (in)	Std. Pkg.	Master Ctn.
WECC-100-8	1"	#8	1.670	1.450	0.40-0.68	10	100
WECC-100-6	1"	#6	1.670	1.450	0.44-0.70	10	100
WECC-100-4	1"	#4	1.670	1.450	0.52-0.84	10	100
WECC-125-3	1-1/4"	#3	2.050	1.800	0.56-0.92	10	50
WECC-125-2	1-1/4"	#2	2.050	1.800	0.60-1.00	10	50
WECC-125-1	1-1/4"	#1	2.050	1.800	0.65-1.09	10	50
WECC-150-10	1-1/2"	#1/0	2.310	2.020	0.72-1.24	5	50
WECC-150-20	1-1/2"	#2/0	2.310	2.020	0.86-1.34	5	50
WECC-150-30	1-1/2"	#3/0	2.310	2.020	0.87-1.37	5	50
WECC-200-10	2"	#1/0	2.820	2.390	0.72-1.24	5	25
WECC-200-20	2"	#2/0	2.820	2.390	0.86-1.34	5	25
WECC-200-30	2"	#3/0	2.820	2.390	0.87-1.37	5	25
WECC-200-40	2"	#4/0	2.820	2.390	0.92-1.41	5	25
WECC-200-40N	2"	#4/0	2.820	2.390	0.92-1.41	5	25

