

SPECIFICATION & FEATURES

DESCRIPTION:

Orbit Industries' Malleable Iron Parallel Type Conduit Clamps are used to secure Rigid/IMC/EMT conduits parallel to beam or channel.

The Malleable Iron construction is capable of supporting heavy loads and ensuring mechanical protection.
Trade Size from 1/2" To 4"

CERTIFICATION:

UL file E328572, conforms to UL 2239

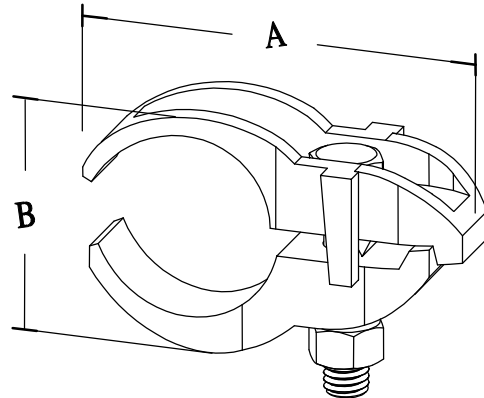
MALLEABLE IRON CONDUIT CLAMPS PARALLEL TYPE 1/2" TO 4"



FEATURES:

- Malleable iron construction ensures mechanical protection for the raceway
- Zinc Electroplated for added corrosion protection

LINE DRAWINGS:



CONFIGURATION DATA:

Part No.	Trade Size	A (in)	B (in)	Std. Pkg.
MCCP-50	1/2"	2.800	1.420	50
MCCP-75	3/4"	2.990	1.470	50
MCCP-100	1"	3.190	1.540	50
MCCP-125	1-1/4"	3.390	2.010	25
MCCP-150	1-1/2"	3.620	2.010	25
MCCP-200	2"	4.370	2.870	25
MCCP-250	2-1/2"	5.120	3.230	10
MCCP-300	3"	5.790	4.060	10
MCCP-350	3-1/2"	6.260	4.530	10
MCCP-400	4"	6.460	4.610	10

