

## SPECIFICATION & FEATURES

### DESCRIPTION:

Orbit Industries' Steel EMT to Liquid Tight Combination Couplings are used to join EMT conduit to metallic or nonmetallic (Type B) liquid tight conduit. Compression type nut makes concrete-tight and rain-tight connection. Trade Size from 1/2" To 1"

## EMT TO LIQUID TIGHT COMBINATION COUPLINGS COMPRESSION TYPE 1/2" TO 1"



### CERTIFICATION:

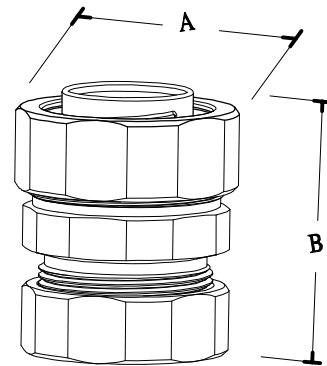
UL file E310658, conforms to UL 514B



### FEATURES:

- Steel
- Zinc electroplated for added corrosion protection
- Concrete-Tight
- Rain-Tight

### LINE DRAWINGS:



### CONFIGURATION DATA:

Part No.	EMT Size	LT Size	A (in)	B (in)	Std. Pkg.	Master Ctn.
SELTC-50	1/2"	1/2"	1.100	1.850	25	250
SELTC-75	3/4"	3/4"	1.430	1.940	10	100
SELTC-100	1"	1"	1.760	2.170	10	100

