

## SPECIFICATION & FEATURES

### DESCRIPTION:

Orbit Industries' Malleable Iron Insulated Straight Liquid Tight Connectors with Aluminum Lug is designed for use in outdoor or indoor locations on flexible metallic liquid-tight conduit and Type B flexible non-metallic liquid tight conduits when installation of a copper or aluminum external bonding jumper is necessary. The connector slips on and quickly grips onto the conduit jacket, preventing any pullouts or breakage of the perfect seal. The sealing washer maintains a liquid tight seal when terminating the connector in an unthread opening. Trade Size from 3/8" To 4".

### CERTIFICATION:

UL file E310659, conforms to UL 467

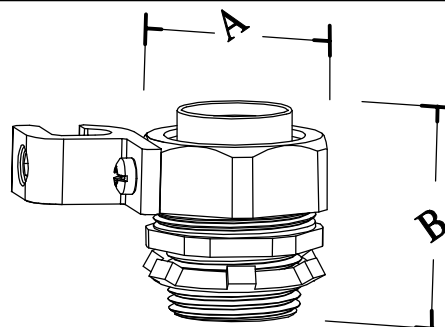
### FEATURES:

- Malleable iron construction ensures mechanical protection for the raceway
- Zinc electroplated for added corrosion protection
- Insulated throat, 105°C rated
- Sealing washer Included
- Used with flexible metallic liquid-tight conduit
- Aluminum lay-in lug for use with copper or aluminum grounding conductor
- Aluminum lug and heavy duty locknut ensures proper grounding

## INSULATED STRAIGHT LIQUID TIGHT CONNECTORS WITH ALUMINUM LUG, MALLEABLE IRON 3/8" TO 4"



### LINE DRAWINGS:



### CONFIGURATION DATA:

Part No.	Trade Size	A (in)	B (in)	Lug Range	Std. Pkg.	Master Ctn.
MLTILL-38	3/8"	1.18	1.72	#14 - #4	25	250
MLTILL-50	1/2"	1.36	1.73	#14 - #4	25	250
MLTILL-75	3/4"	1.61	1.81	#14 - #4	10	100
MLTILL-100	1"	1.89	1.85	#14 - #4	5	50
MLTILL-125	1-1/4"	2.39	2.05	#14 - #4	5	50
MLTILL-150	1-1/2"	2.62	2.38	#14 - #4	4	40
MLTILL-200	2"	3.24	2.49	#14 - #4	2	20
MLTILL-250	2-1/2"	3.89	3.21	#14 - #1/0	1	10
MLTILL-300	3"	4.74	3.37	#14 - #1/0	1	10
MLTILL-350	3-1/2"	5.31	3.4	#6 - #250MCM	-	1
MLTILL-400	4"	5.82	3.66	#6 - #250MCM	-	1

