

SPECIFICATION & FEATURES

DESCRIPTION:

Orbit Industries' Malleable Iron Three-Piece Conduit Couplings are used to join two threaded rigid or IMC conduits when neither of them can be turned to fit. Trade Size from 1/2" To 4"

MALLEABLE IRON THREE-PIECE RIGID CONDUIT COUPLINGS 1/2" TO 4"



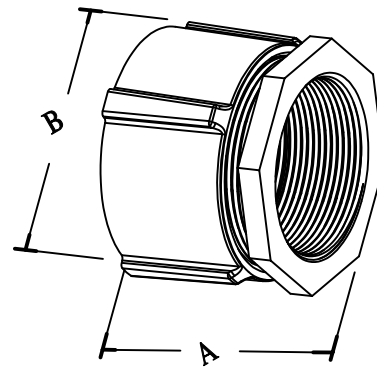
CERTIFICATION:

UL file E310658, conforms to UL 514B

FEATURES:

- Malleable iron construction ensures mechanical protection for the raceway.
- Zinc electroplated for added corrosion protection.

LINE DRAWINGS:



CONFIGURATION DATA:

Part No.	Trade Size	A (in)	B (in)	Std.Pkg.	Master Ctn.
MR3C-50	1/2"	1.36	1.31	10	100
MR3C-75	3/4"	1.41	1.57	10	100
MR3C-100	1"	1.62	1.87	5	50
MR3C-125	1-1/4"	1.83	2.28	5	50
MR3C-150	1-1/2"	1.94	2.59	3	30
MR3C-200	2"	2.23	3.14	-	5
MR3C-250	2-1/2"	3.09	3.72	-	5
MR3C-300	3"	3.19	4.37	-	5
MR3C-350	3-1/2"	3.37	4.9	-	4
MR3C-400	4"	3.45	5.44	-	4

