

SPECIFICATION & FEATURES

DESCRIPTION:

Orbit Industries' Mogul Conduit Bodies are used with threaded Rigid/IMC conduit in dry or wet location. Spacious storage provides easy access to wiring for maintenance and future system changes. The longer openings ensure smooth bending of stiff conductors, and provide a large chamber for splices and taps. Epoxy powder coated finish and water-tight gasket guarantee a weatherproof installation.

EXTRA-LARGE MOGUL RIGID CONDUIT BODIES THREADED TYPE LB



CERTIFICATION:

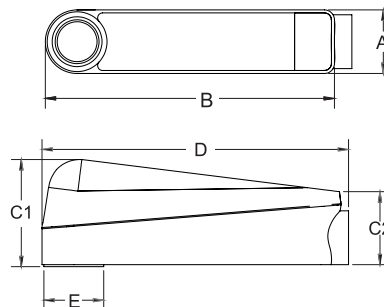
UL file E227970, Conforms to UL 514A



FEATURES:

- Epoxy powder coated aluminum
- Big opening space for easy bending and pulling wires
- Weatherproof installation with gasket
- 90° turn changes direction of wire pull
- Die Cast Aluminum Cover
- Fiber Gasket
- Suitable for wet location when used with Gasket and Cover
- NPT Thread Hubs

LINE DRAWINGS:



CONFIGURATION DATA:

Part No.	Trade Size	A (in)	B (in)	C1 (in)	C2 (in)	D (in)	E (in)	Std.Pkg.
LBM-150	1-1/2"	3"	13-7/16"	5"	4"	14-1/4"	2-3/4"	1
LBM-200	2"	3"	13-7/16"	5"	4"	14-1/4"	2-3/4"	1
LBM-250	2-1/2"	4-5/8"	21-7/8"	8-11/16"	5-1/8"	22-3/4"	4-1/4"	1
LBM-300	3"	4-5/8"	21-7/8"	8-11/16"	5-1/8"	22-3/4"	4-1/4"	1
LBM-350	3-1/2"	5-5/8"	28-1/2"	10"	6-1/8"	29-1/8"	5-1/8"	1
LBM-400	4"	5-5/8"	28-1/2"	10"	6-1/8"	29-1/8"	5-1/8"	1

