

SPECIFICATION & FEATURES

DESCRIPTION:

Orbit Industries' grounding bushings insulated universal lay-in lug are used with locknut to terminate service conduit to cabinet. The lug provided for bonding jumper to neutral busbar. Plastic liner prevents damage to wire insulation, 105°C rated.

CERTIFICATION:

UL file E310659, Conforms to UL 514B

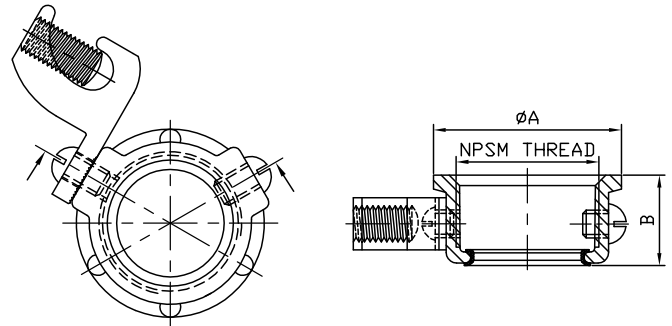
GROUND BUSHINGS INSULATED WITH UNIVERSAL LAY-IN LUG



FEATURES:

- Zinc Die Cast
- 105°C rated Throat Insulator
- Aluminum Lay-In Lug for use with copper or aluminum grounding conductor

LINE DRAWINGS:



CONFIGURATION DATA:

Part No.	Trade Size	Lug Range	A (in)	B (in)	Std.Pkg.	Master Ctn.
GBLL-50	1/2"	#14 - #4	1.04	0.38	50	500
GBLL-75	3/4"	#14 - #4	1.31	0.41	40	400
GBLL-100	1"	#14 - #4	1.58	0.50	15	150
GBLL-125	1-1/4"	#14 - #4	1.90	0.53	15	150
GBLL-125-10	1-1/4"	#14 - #1/0	1.90	0.53	20	200
GBLL-150	1-1/2"	#14 - #4	2.16	0.56	10	100
GBLL-150-10	1-1/2"	#14 - #1/0	2.16	0.56	10	100
GBLL-200	2"	#14 - #4	2.67	0.66	5	50
GBLL-200-10	2"	#14 - #1/0	2.67	0.66	10	100
GBLL-250	2-1/2"	#6 - #250MCM	3.23	0.75	5	50
GBLL-250-10	2-1/2"	#14 - #1/0	3.23	0.75	-	50
GBLL-300	3"	#6 - #250MCM	3.85	0.75	5	50
GBLL-300-10	3"	#14 - #1/0	3.85	0.75	-	50
GBLL-350	3-1/2"	#6 - #250MCM	4.36	0.75	4	40
GBLL-350-10	3-1/2"	#14 - #1/0	4.36	0.75	-	10
GBLL-400	4"	#6 - #250MCM	4.87	0.75	4	40
GBLL-400-10	4"	#14 - #1/0	4.87	0.75	-	10

