

SPECIFICATION & FEATURES

ZINC DIE CAST 90 DEG ANGLE LIQUID TIGHT CONNECTORS

DESCRIPTION:

Orbit Industries' zinc die-cast liquid tight connectors are used with metallic and nonmetallic Type B liquid tight conduit.



CERTIFICATION:

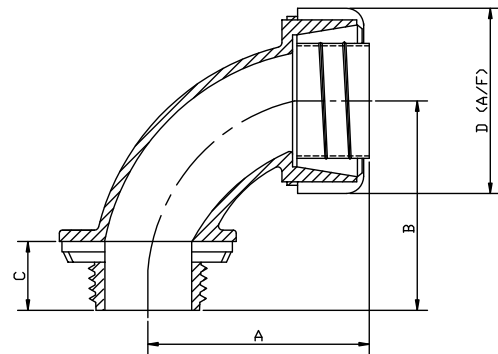
UL file E310658, Conforms to UL 514B



FEATURES:

- Zinc Die Cast
- Insulated color may vary

LINE DRAWINGS:



CONFIGURATION DATA:

Part No.	Trade Size	A (in)	B (in)	C (in)	D (in)	Std.Pkg.	Master Ctn.
LT90-38	3/8"	1.752	1.398	0.512	1.299	15	150
LT90-50	1/2"	1.811	1.457	0.512	1.299	15	150
LT90-75	3/4"	1.988	1.850	0.512	1.575	10	100
LT90-100	1"	2.717	2.028	0.650	1.811	5	50
LT90-125	1-1/4"	2.717	2.205	0.650	2.264	4	40
LT90-150	1-1/2"	2.933	2.480	0.650	2.520	2	20
LT90-200	2"	3.169	2.717	0.650	2.992	1	10
LT90-250	2-1/2"	4.528	3.445	0.965	3.740	1	10
LT90-300	3"	5.039	3.878	0.965	4.350	1	4
LT90-400	4"	5.965	4.291	0.965	5.217	1	3

