

## SPECIFICATION & FEATURES

## STEEL EMT COUPLINGS SET-SCREW TYPE 1/2" ~ 1"

### DESCRIPTION:

Orbit Industries' set-screw steel EMT couplings are used in dry locations to connect the ends of two EMT thinwall conduits together to extend the raceway. The steel construction ensures mechanical protection and the connection between one conduit to another.



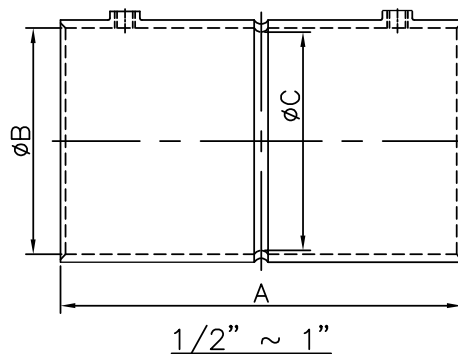
### CERTIFICATION:

UL file E310660, conforms to UL 514B

### FEATURES:

- Steel
- Zinc Electro-Plated
- Concrete-Tight when Taped
- Suitable for applications above 600V
- sizes 2-1/2" to 4" are also listed for RIGID and IMC Conduits

### LINE DRAWINGS:



### CONFIGURATION DATA:

Part No.	Trade Size	A (in)	B (in)	C (in)	Screw Size	Std.Pkg.	Master Ctn.
OF7711	1/2"	1.614	0.732	0.669	12-24 UNC X 0.3in FHCP	50	500
OF7712	3/4"	1.791	0.949	0.886	12-24 UNC X 0.3in FHCP	25	250
OF7713	1"	2.362	1.189	1.122	12-24 UNC X 0.3in FHCP	10	100



## SPECIFICATION & FEATURES

## STEEL EMT COUPLINGS SET-SCREW TYPE 1-1/4" ~ 2"

### DESCRIPTION:

Orbit Industries' set-screw steel EMT couplings are used in dry locations to connect the ends of two EMT thinwall conduits together to extend the raceway. The steel construction ensures mechanical protection and the connection between one conduit to another.



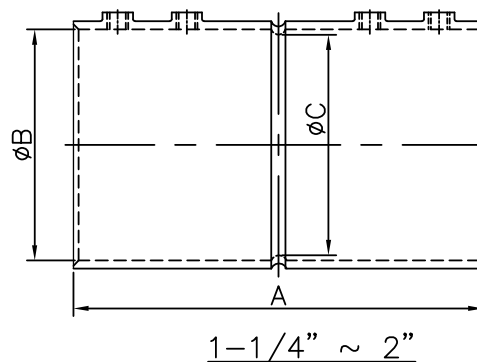
### CERTIFICATION:

UL file E310660, conforms to UL 514B

### FEATURES:

- Steel
- Zinc Electro-Plated
- Concrete-Tight when Taped
- Suitable for applications above 600V
- sizes 2-1/2" to 4" are also listed for RIGID and IMC Conduits

### LINE DRAWINGS:



### CONFIGURATION DATA:

Part No.	Trade Size	A (in)	B (in)	C (in)	Screw Size	Std.Pkg.	Master Ctn.
OF7714	1-1/4"	2.756	1.535	1.457	1/4"-20 UNC X0.41in FHCP	10	100
OF7715	1-1/2"	3.091	1.768	1.693	1/4"-20 UNC X0.41in FHCP	10	50
OF7716	2"	3.425	2.224	2.146	1/4"-20 UNC X0.41in FHCP	5	50



## SPECIFICATION & FEATURES

## STEEL EMT COUPLINGS SET-SCREW TYPE 2-1/2" ~ 4"

### DESCRIPTION:

Orbit Industries' set-screw steel EMT couplings are used in dry locations to connect the ends of two EMT thinwall conduits together to extend the raceway. The steel construction ensures mechanical protection and the connection between one conduit to another.

### CERTIFICATION:

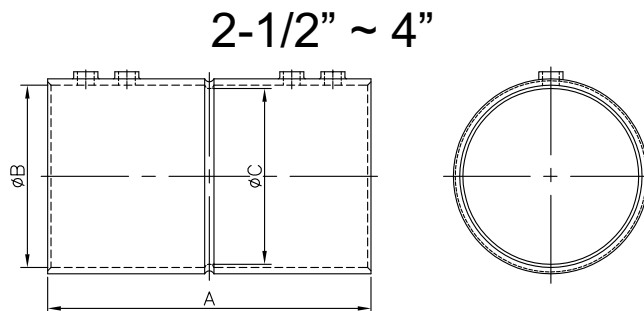
UL file E310658, conforms to UL 514B



### FEATURES:

- Steel
- Zinc Electro-Plated
- Concrete-Tight when Taped
- Suitable for applications above 600V
- Sizes 2-1/2" to 4" are also listed for RIGID and IMC conduits

### LINE DRAWINGS:



### CONFIGURATION DATA:

Part No.	Trade Size	A (in)	B (in)	C (in)	Screw Size	Std.Pkg.
OF7717	2-1/2"	4.272	2.921	2.807	1/4"-28 UNF X 0.41in FHCP OR 1/4"-20 UNC X 0.41in FHCP	12
OF7718	3"	4.528	3.547	3.429	1/4"-28 UNF X 0.41in FHCP OR 1/4"-20 UNC X 0.41in FHCP	12
OF7719	3-1/2"	4.724	4.047	3.929	1/4"-28 UNF X 0.41in FHCP OR 1/4"-20 UNC X 0.41in FHCP	6
OF7720	4"	4.961	4.547	4.429	1/4"-28 UNF X 0.41in FHCP OR 1/4"-20 UNC X 0.41in FHCP	6

