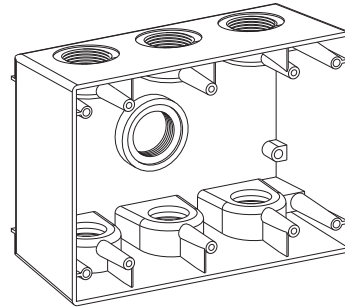


SPECIFICATION & FEATURES 3-GANG DEEP BOXES 2-5/8" DEEP

FEATURES & DIMENSION:

- Die Cast Copper-Free Aluminum
- Premium Gray Powder Coat Finish
- Closure Plugs included
- Ground Screw installed
- Lugs included
- Individually shrink-wrapped with barcode
- Retail shelf packaging
- Width: 6-3/8"
- Height: 4-1/2"
- Depth: 2-5/8"



3DB50-7
3DB75-7
3DB100-7

CERTIFICATION:



CONFIGURATION DATA:

Part No.	Outlet Holes	Hole Size	Closure Plug QTY	Cu.Inch	Std.Pkg.
Gray					
3DB50-7	7	1/2"	4	54	10
3DB75-7	7	3/4"	4	54	10
3DB100-7	7	1"	4	54	10

