

SPECIFICATION & FEATURES

4" SQUARE (4S) WELDED BOXES 1-1/2" DEEP WITH BX/MC

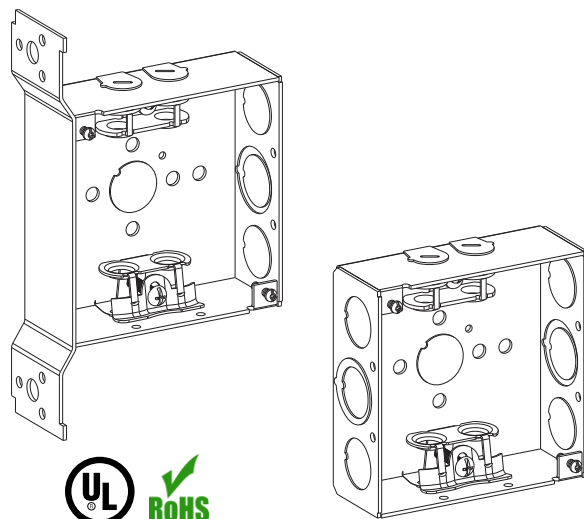
DESCRIPTION:

Orbit Industries' 4" Square (4S) Boxes are used to install lighting fixtures, switches, and receptacles in ceilings and walls. They are constructed from 16 gauge galvanized steel. These 1-1/2" deep, welded boxes include metal clad cable clamps for ease of installation. Selected Orbit Industries models include brackets to directly mount on a stud or a raised ground emboss and pre-assembled 3-way, with a 10-32 ground screw and a solid #12AWG pigtail.

CERTIFICATION:

UL file E227970, conforms to UL514A.

For Fixture/Luminaire Support of 50 lbs or less (Except boxes with MS bracket)



FEATURES

Knockout:

50: 1/2" K.O. ; **Loom:** Loom Pryouts ; **MKO:** Moon K.O. (1/2" and 3/4" K.O.)

Pigtail Features:

PT: 7" Solid Cu. #12AWG Pigtail Pre-assembled with Ground Emboss and 10-32 Ground Screw

Bracket:

FB: (L: 7-3/8", W: 1-9/16") Offset (Flush) Mounts on flat side of stud

B: (L: 3", W: 2") Offset (Flush) Face mounts on front edge of wood stud

WB: (L: 7-1/2", W: 1-9/16") Offset (Flush) With positioning spurs to mount box on side of stud

MS: (L: 2-1/2", W: 1-3/8") Offset (Flush) Self-Gripping Metal Stud Bracket with Box Support Clip. Engages on either side of metal stud. U.S. Patent No.: 8,262,043

BX/MC Clamp:

Accommodates Metal Clad Cables from size #14-2 to #10-4. All MC series boxes are suitable for use with MCAP™-Aluminum (MCAP is a trademark of Southwire Company)

DIMENSIONS

Width: 4"

Height: 4"

Depth: 1-1/2"

Cu.In.: 21.0

CONFIGURATION DATA

Catalog No.	Bracket & Setback	Knockouts		Std. Pkg.
		Sides	Bottom	
4SB-MC	-	(4)-1/2", (2)-MKO, (4)-Loom	(1)-1/2"	50
4SB-MC-PT	-	(4)-1/2", (2)-MKO, (4)-Loom	(1)-1/2"	50
4SB-MC-B	B, Flush	(2)-1/2", (1)-MKO, (4)-Loom	(1)-1/2"	24
4SB-MC-FB	FB, Flush	(2)-1/2", (1)-MKO, (4)-Loom	(1)-1/2"	24
4SB-MC-FB-PT	FB, Flush	(2)-1/2", (1)-MKO, (4)-Loom	(1)-1/2"	24
4SB-MC-WB	WB, Flush	(2)-1/2", (1)-MKO, (4)-Loom	(1)-1/2"	24
4SB-MC-MS	MS, Box Support Clip	(2)-1/2", (1)-MKO, (4)-Loom	(1)-1/2"	24
4SB-MC-MS-PT	MS, Box Support Clip	(2)-1/2", (1)-MKO, (4)-Loom	(1)-1/2"	24

