

SPECIFICATION & FEATURES

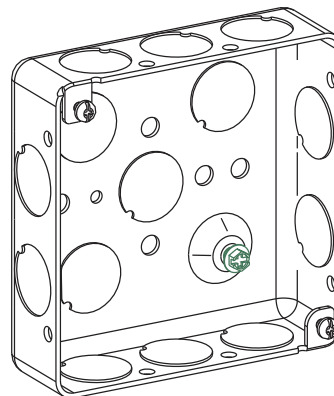
4" SQUARE (4S) SHALLOW DRAWN BOX 1-1/4" DEEP

DESCRIPTION:

Orbit Industries' 4" Square (4S) Shallow Boxes are used to install lighting fixtures, switches, and receptacles in ceilings and walls. It is constructed from 16 gauge galvanized steel. The drawn steel, shallow 1-1/4" deep boxes include a pre-installed, raised ground emboss and 10-32 ground screw. Models have multiple 1/2" and 3/4" knockouts.

CERTIFICATION:

UL file E227970, conforms to UL514A.
For Fixture/Luminaire Support of 50 lbs or less



FEATURES

General:

With Raised Ground Emboss & 10-32 Ground Screw

Knockout:

50: 1/2" K.O.

Mfg. Process:

DRAWN

DIMENSIONS

Width: 4"

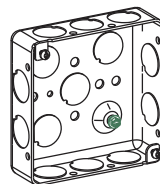
Height: 4"

Depth: 1-1/4"

Cu.In.: 18.0

CONFIGURATION DATA

Catalog No.	Knockouts		Std. Pkg.
	Sides	Bottom	
D4SSB-50	(10)-1/2"	(4)-1/2"	50



D4SSB-50

