

SPECIFICATION & FEATURES

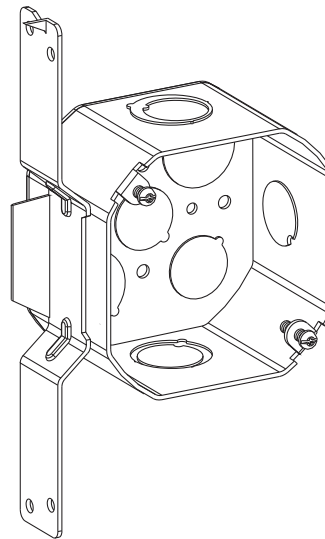
4" OCTAGON (40) WELDED DEEP BOXES 2-1/8" DEEP

DESCRIPTION:

Orbit Industries' 4" Octagon (40) Boxes are used in the installation of light fixtures and other electrical devices in walls and ceilings. They are constructed from 16 gauge galvanized steel. The 2-1/8" deep, welded boxes provide extra space for wires and devices. Selected models include an FB bracket for direct installations on studs.

CERTIFICATION:

UL file E227970, conforms to UL514A.
For Fixture/Luminaire Support of 50 lbs or less



FEATURES

Knockout:

50: 1/2" K.O.

75: 3/4" K.O.

MKO: Moon K.O. (1/2" and 3/4" K.O.)

Bracket:

FB: (L: 7-1/4", W: 3/4") Offset (1/2") Mounts on flat side of stud or joist

Mfg. Process:

WELDED

DIMENSIONS

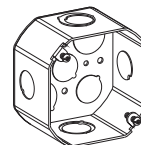
Diameter: 4"

Depth: 2-1/8"

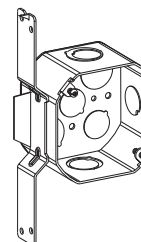
Cu.In.: 21.5

CONFIGURATION DATA

Catalog No.	Bracket & Setback	Knockouts		Std. Pkg.
		Sides	Bottom	
4RDB-MKO	-	(2)-1/2", (2)-MKO	(3)-1/2", (2)-3/4"	50
4RDB-MKO-FB	FB, 1/2"	(1)-1/2", (2)-MKO	(3)-1/2", (2)-3/4"	25



4RDB-MKO



4RDB-MKO-FB

