

SPECIFICATION & FEATURES

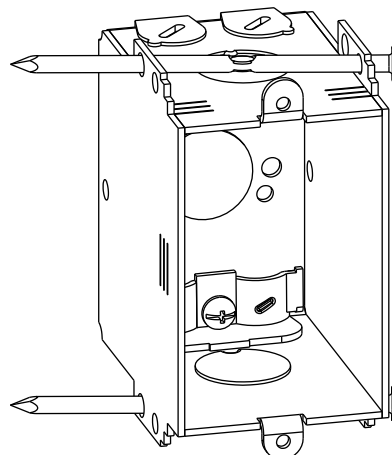
NON-GANGABLE NAIL-ON SWITCH BOXES 2-3/4" DEEP

DESCRIPTION:

Orbit Industries' 2-3/4" Non-Gangable Switch Boxes are used in the installation of switches. Orbit Industries' selection includes a variety of switch boxes with non-metallic cable clamps, metal clad cable clamps, and Mounting Nails. They are constructed from 16 gauge galvanized steel.

CERTIFICATION:

UL file E227970, conforms to UL514A.



FEATURES

General:

With two mounting nails

Knockout:

50: 1/2" K.O.

Loom: Loom Pryouts

Clamp:

NM: Accommodates #14-2 to #10-3 Non-Metallic Cables with ground

DIMENSIONS

Width: 2-1/8"

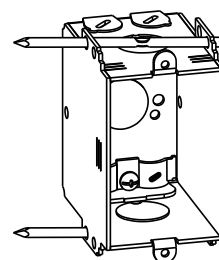
Height: 3"

Depth: 2-3/4"

Cu.In.: 15.9

CONFIGURATION DATA

Catalog No.	Description	Knockouts		Std. Pkg.
		Ends	Bottom	
GMB-NM-NO	Nail-On Non-Gangable, with NM Clamps	(2)-1/2", (4)-Loom	(1)-1/2"	50



GMB-NM-NO

