

SPECIFICATION & FEATURES

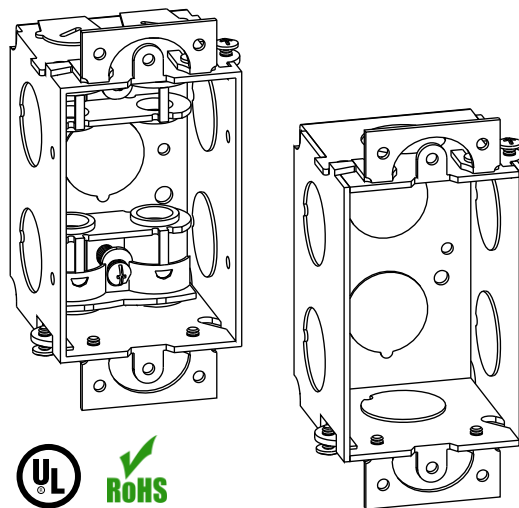
SHALLOW GANGABLE SWITCH BOXES 2" DEEP

DESCRIPTION:

Orbit Industries' Shallow Gangable Switch Boxes are used in the installation of switches, receptacles and other electrical devices. They are constructed from 16 gauge galvanized steel. These 2" deep boxes are shallow to suit specific needs. The ears on the top and bottom of the box assist in old work applications. Selected models include non-metallic cable clamps or metal clad cable clamps.

CERTIFICATION:

UL file E227970, conforms to UL514A.



FEATURES

Knockout:

50: 1/2" K.O.

Loom: Loom Pryouts

BX/MC Clamp:

Accommodates Metal Clad Cables from size #14-2 to #10-4. All MC series boxes are suitable for use with MCAP™-Aluminum (MCAP is a trademark of Southwire Company)

Clamp:

NM: Accommodates #14-2 to #10-3 Non-Metallic Cables with ground

DIMENSIONS

Width: 2"

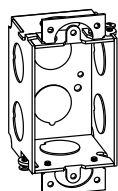
Height: 3"

Depth: 2"

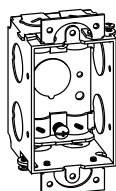
Cu.In.: 10

CONFIGURATION DATA

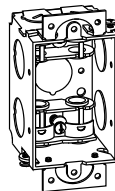
Catalog No.	Description	Knockouts			Std. Pkg.
		Sides	Ends	Bottom	
GSB-1	Ears only	(4)-1/2"	(2)-1/2"	(2)-1/2"	50
GSB-1-NM	With NM Cable Clamps	(4)-1/2"	(4)-Loom	(1)-1/2"	50
GSB-1-MC	With BX/MC Cable Clamps	(4)-1/2"	(4)-Loom	(1)-1/2"	50



GSB-1



GSB-1-NM



GSB-1-MC

