

SPECIFICATION & FEATURES

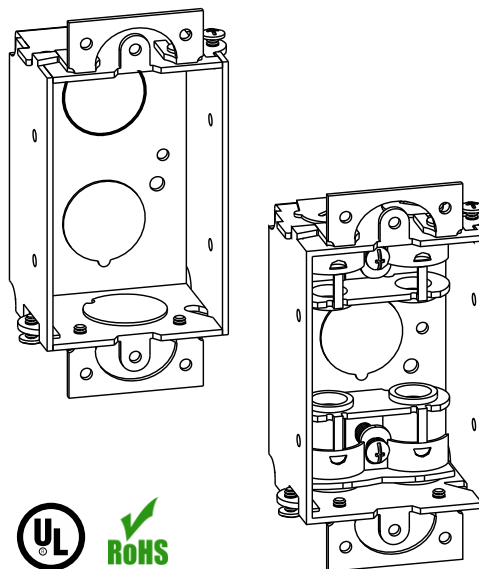
EXTRA SHALLOW GANGABLE SWITCH BOXES 1-1/2" DEEP

DESCRIPTION:

Orbit Industries' Extra Shallow Gangable Switch Boxes are used in the installation of switches, receptacles, and other electrical devices. They are constructed from 16 gauge galvanized steel. These 1-1/2" deep boxes are extra shallow to suit specific needs. Selected models include non-metallic cable clamps or metal clad cable clamps for ease of installation.

CERTIFICATION:

UL file E227970, conforms to UL514A.



FEATURES

Knockout:

50: 1/2" K.O.

Loom: Loom Pryouts

BX/MC Clamp:

Accommodates Metal Clad Cables from size #14-2 to #10-4. All MC series boxes are suitable for use with MCAP™-Aluminum (MCAP is a trademark of Southwire Company)

Clamp:

NM: Accommodates #14-2 to #10-3 Non-Metallic Cables with ground

DIMENSIONS

Width: 2"

Height: 3"

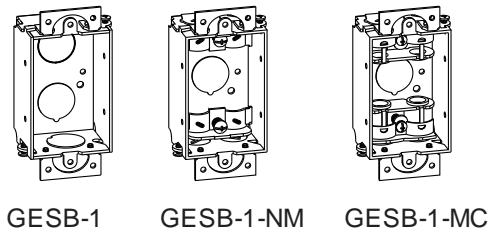
Depth: 1-1/2"

Cu.In.: 7.5

CONFIGURATION DATA

Catalog No.	Description	Knockouts		Std. Pkg.
		Ends	Bottom	
GESB-1	Ears only	(2)-1/2"	(2)-1/2"	50
GESB-1-NM	With NM Cable Clamps	(4)-Loom	(1)-1/2"	50
GESB-1-MC*	With BX/MC Cable Clamps	(4)-Loom	(1)-1/2"	50

* While Supplies Last



GESB-1

GESB-1-NM

GESB-1-MC

