

## SPECIFICATION & FEATURES

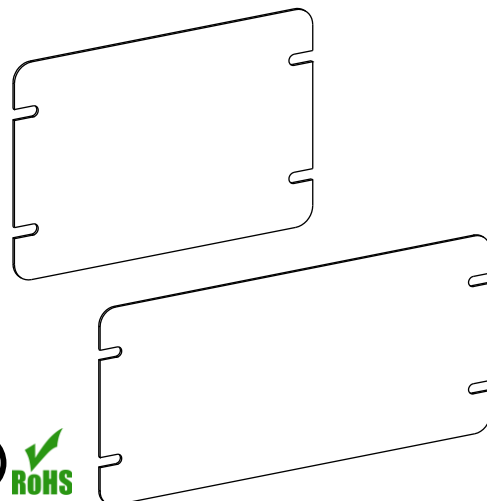
## STEEL FLAT BLANK COVERS FOR MULTIGANG BOXES 2 TO 10 GANGS

### DESCRIPTION:

Orbit Industries' Steel Flat Blank Covers for Multigang Boxes protect wires inside electrical junction boxes. Orbit Industries' selections fit boxes with multiple gangs ranging from 2 to 10 gang. They are constructed from 16 gauge galvanized steel

### CERTIFICATION:

UL file E227970, conforms to UL514A.



### FEATURES

Flat, Blank Cover

### CONFIGURATION DATA

| Catalog No. | No. of Gangs | Description       | WxH                 | Std. Pkg. |
|-------------|--------------|-------------------|---------------------|-----------|
| 4M2-B       | 2            | Flat, Blank Cover | 6-13/16" x 4-9/16"  | 5         |
| 4M3-B       | 3            | Flat, Blank Cover | 8-5/8" x 4-9/16"    | 5         |
| 4M4-B       | 4            | Flat, Blank Cover | 10-7/16" x 4-9/16"  | 5         |
| 4M5-B       | 5            | Flat, Blank Cover | 12-1/4" x 4-9/16"   | 5         |
| 4M6-B       | 6            | Flat, Blank Cover | 14-1/16" x 4-9/16"  | 1         |
| 4M7-B       | 7            | Flat, Blank Cover | 15-7/8" x 4-9/16"   | 1         |
| 4M8-B       | 8            | Flat, Blank Cover | 17-11/16" x 4-9/16" | 1         |
| 4M9-B       | 9            | Flat, Blank Cover | 19-1/2" x 4-9/16"   | 1         |
| 4M10-B      | 10           | Flat, Blank Cover | 21-3/8" x 4-9/16"   | 1         |

