

SPECIFICATION & FEATURES

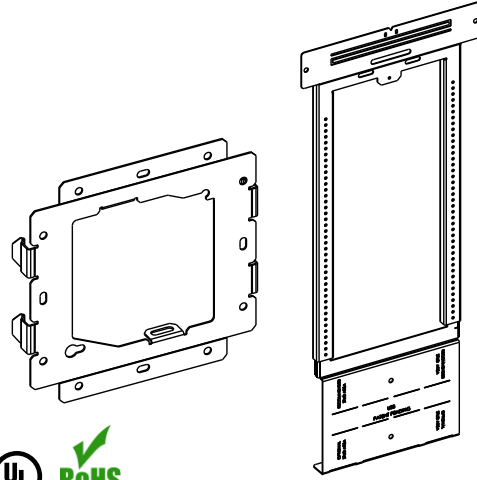
FLOOR/WALL SUPPORT BRACKET

DESCRIPTION:

Orbit Industries' Floor/Wall Support Brackets can be mounted on wood or metal studs in floors or walls and are used to support conduit boxes. They are constructed from 16 gauge galvanized steel. They provide flexibility with infinite height and width combinations. An Ultimate Support Bracket (USB) must be accompanied by either an US4SB mounting bracket to attach on a steel box.

CERTIFICATION:

UL file E227970, conforms to UL514A.



FEATURES

- Can be floor or wall mounted on wooden or metal studs
- Infinite height and width combinations
- Provides flexibility at the job site
- US4SB must be used to attach steel box to USB

CONFIGURATION DATA

Catalog No.	Description	Std. Pkg.
USB	Ultimate Support Bracket, Adj. 8"-24" as a floor bracket or 14"-24" as wall bracket	12
US4SB	Mounting Bracket for 4"(4S)Box, snaps to USB	24
USDBM	For Use with USB to create a double box in floor mount assembly with built-in back support	50
USTBM	For Use with USB to create a triple box in floor mount assembly with built-in back support	50
USTS	USB floor mount stud to stud top support	50
USB-4SDB-50/75-PT	Complete Pre-Assembled Floor Bracket with a 4"(4S)2-1/8" Deep Box mounted, Includes installed Far-Side Back Support and Ground Pigtail	12
USB-5SDB-50/75-PT	Complete Pre-Assembled Floor Bracket with a 4-11/16"(5S)2-1/8" Deep Box mounted, Includes installed Far-Side Back Support and Ground Pigtail	12

