

## SPECIFICATION & FEATURES

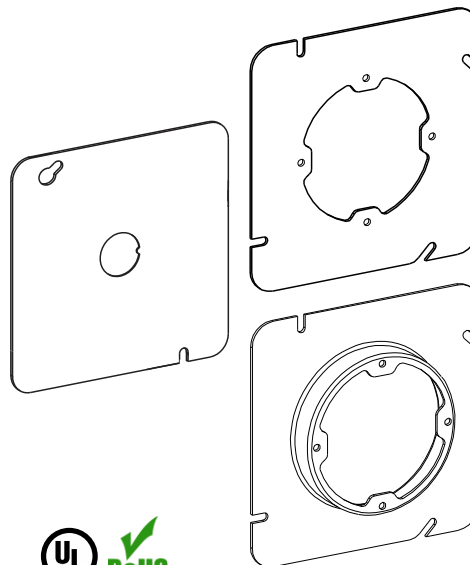
## 4-11/16" SQUARE (5S) COVERS FLAT OR DRAWN

### DESCRIPTION:

Orbit Industries' 4-11/16" Square (5S) Covers are used to cover and protect wires inside the box. They are constructed from 16 gauge galvanized steel. Selections include flat covers with various knockouts or raised covers for a range of lighting fixtures and other devices.

### CERTIFICATION:

UL file E227970, conforms to UL514A.



### FEATURES

**K:** 1/2" K.O.

**MKO:** Moon K.O. (1/2" and 3/4" K.O.)

**000:** Flat

**050:** Raised 1/2"

**058:** Raised 5/8"

**075:** Raised 3/4"

**100:** Raised 1"

**125:** Raised 1-1/4"

**150:** Raised 1-1/2"

**200:** Raised 2"

### DIMENSIONS

**Width:** 4-11/16"

**Height:** 4-11/16"

### CONFIGURATION DATA

Catalog No.	Description	Cu.In	Std. Pkg.
5BC	Flat, Blank	-	50
5BCK	Flat, 1/2" KO	-	50
5BC-MKO	Flat, MKO	-	50
53000X	Flat, Open, Ears 2-3/4" O.C.	-	50
53050X	Raised 1/2", Open, Ears 2-3/4" O.C.	3.0	50
53058X	Raised 5/8", Open, Ears 2-3/4" O.C.	4.0	50
53075X	Raised 3/4", Open, Ears 2-3/4" O.C.	5.0	50
53100X	Raised 1", Open, Ears 2-3/4" O.C.	6.8	25
53125X	Raised 1-1/4", Open, Ears 2-3/4" O.C.	8.5	25
53150X	Raised 1-1/2", Open, Ears 2-3/4" O.C.	9.7	25
53200X	Raised 2", Open, Ears 2-3/4" O.C.	12.9	25

