

SPECIFICATION & FEATURES

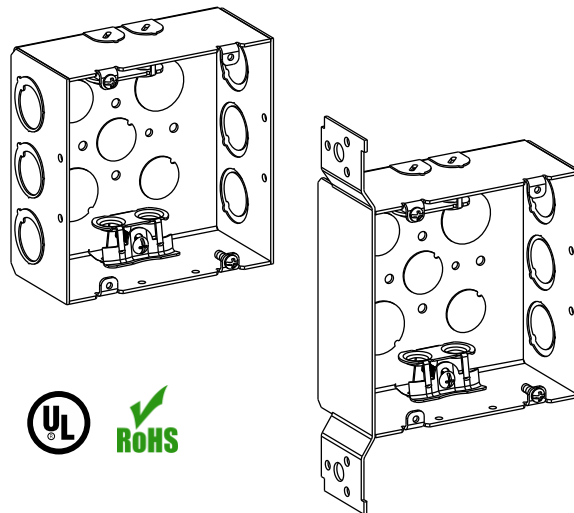
4-11/16" SQUARE (5S) WELDED BOXES 2-1/8" DEEP WITH BX/MC

DESCRIPTION:

Orbit Industries' 4-11/16" Square (5S) Boxes are used to install lighting fixtures, switches, and receptacles in ceilings and walls. They are constructed from 16 gauge galvanized steel. These 2-1/8" deep, welded boxes include metal clad cable clamps for ease of installation. Selected models include brackets to directly mount on studs or self-gripping metal stud brackets with box support clips.

CERTIFICATION:

UL file E227970, conforms to UL514A.
For Fixture/Luminaire Support of 50 lbs or less
(5SDB-MC-FB Only)



FEATURES

Knockout:

50: 1/2" K.O. ; **75:** 3/4" K.O.;

Loom: Loom Pryouts

MKO: Moon K.O. (1/2" and 3/4" K.O.)

Bracket:

FB: (L: 7-3/8", W: 1-9/16") Offset (Flush) Mounts on flat side of stud

MS: (L: 2-1/2", W: 1-3/8") Offset (Flush) Self-Gripping Metal Stud Bracket with Box Support Clip. Engages on either side of metal stud.

U.S. Patent No.: 8,262,043

BX/MC Clamp:

Accommodates Metal Clad Cables from size #14-2 to #10-4. All MC series boxes are suitable for use with MCAP™-Aluminum (MCAP is a trademark of Southwire Company)

Mfg. Process:

WELDED

DIMENSIONS

Width: 4-11/16"

Height: 4-11/16"

Depth: 2-1/8"

Cu.In.: 42.0

CONFIGURATION DATA

Catalog No.	Bracket & Setback	Knockouts		Std. Pkg.
		Sides	Bottom	
5SDB-MC	-	(6)-MKO, (4)-Loom	(3)-1/2", (2)-3/4"	24
5SDB-MC-FB	FB, Flush	(3)-MKO, (4)-Loom	(3)-1/2", (2)-3/4"	24
5SDB-MC-MS	MS, Self-Gripping+Box Support Clip	(3)-MKO, (4)-Loom	(3)-1/2", (2)-3/4"	24

