

BUTTERFLY CABLE/ CONDUIT SUPPORT EZ-HANG FAMILY SUPPORT



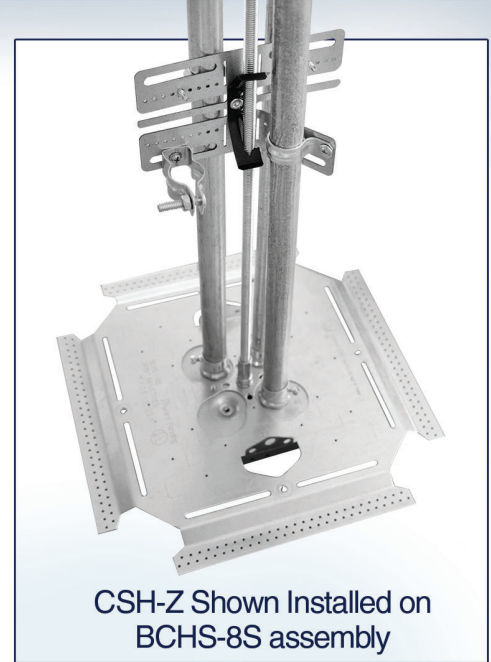
NEW



CSH-Z

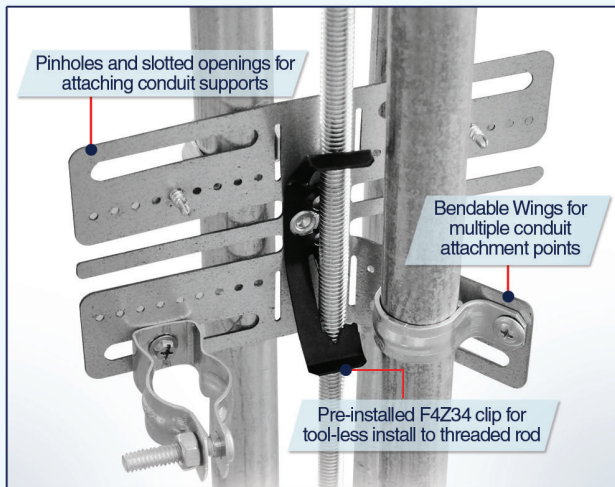
ORBIT INDUSTRIES
EXCLUSIVE

**PATENT
PENDING**



CSH-Z Shown Installed on
BCHS-8S assembly

THE BEST WAY TO SUPPORT CONDUIT & CABLE FROM BOTTOM KNOCKOUTS!



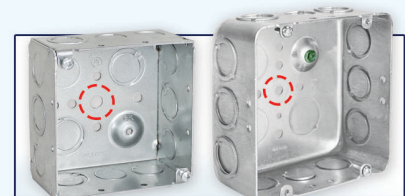
Orbit's CSH-Z maximizes the use of bottom knockouts for overhead installations. Its patent-pending butterfly design delivers clean, multi-run support while reducing material and installation time.

- Supports up to four conduits and cables from bottom knockouts of junction boxes or enclosures mounted on threaded rod
- Butterfly design with four bendable wings for multiple conduit attachment points
- Center-mounted straps allow tool-less cable securing
- Reduces installation time and material usage

Recommended Conduit Clamps



Designed for use with Orbit's EZ-Hang boxes for efficient suspended installations on threaded rod.



4SDB-MKO-S

D5SDB-CKO-S

Cat. No.	Description	Rod Size	Wire Size	Std. Pkg.
CSH-Z	Cable/Conduit Support Hanger w/Clip	1/4" & 3/8"	#12 - #8	50

EZ-HANG BOXES

Orbit Industries, Inc.

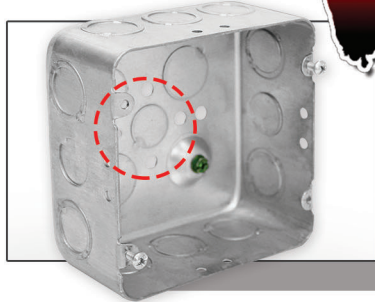
NEW



VS

4SDB-MKO-S
0.395" Diameter Hole
(for 3/8" rod)

D5SDB-CKO-S
0.27" Diameter Hole
(for 1/4" rod)



TRADITIONAL BOX
with 1/2" KO



YOUR EASIEST SUSPENDED BOX INSTALLATION YET!



Orbit's Exclusive EZ-Hang Boxes are designed to easily secure rods for suspended box applications

- Available in 4" and 4-11/16" Square boxes, both 2-1/8" deep.
- Back-center knockout replaced with a through hole, making it easier to mount boxes in suspended applications.
- No washers needed. Allowing for a fast and efficient installation.
- Works great with BCHS Plates!

Cat. No.	Description	Cu. In.	Knockouts		Std. Pkg.
			Sides	Bottom	
4SDB-MKO-S	4" Sq. Welded Special Box with MKO	30.3	8 - 1/2", 4 - MKO	1 - 1/2", 2 - MKO	24
D5SDB-CKO-S	4-11/16" Sq. Drawn Special Box with CKO	42.0	2 - 1/2", 10 - CKO	3 - 3/4"	24