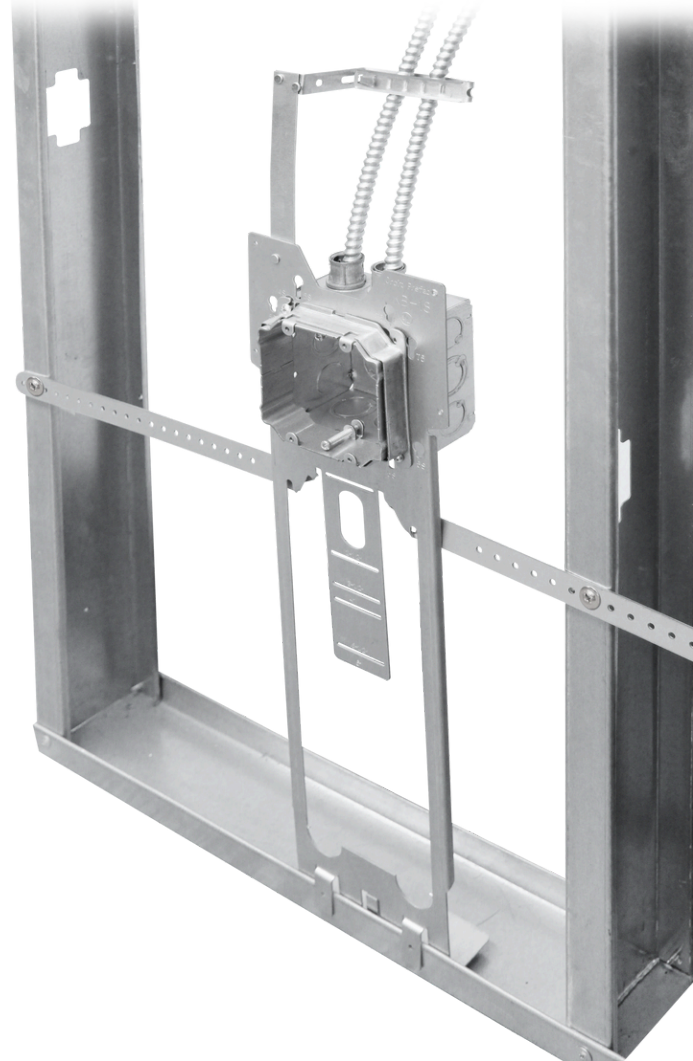
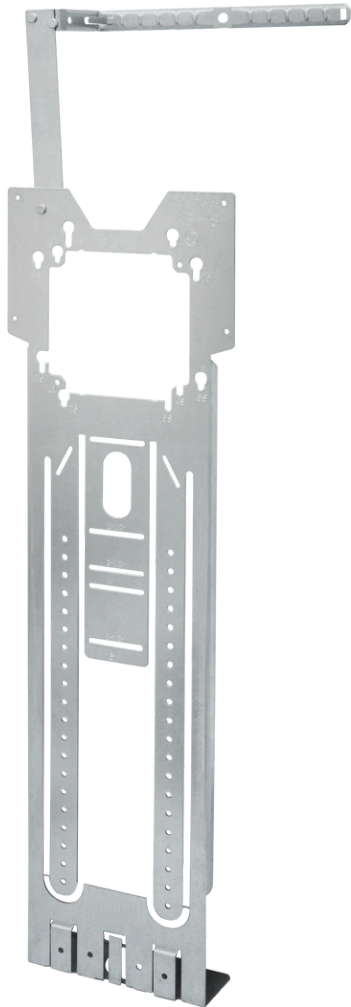


1 BOX POSITION KICK BRACKET 18" HEIGHT

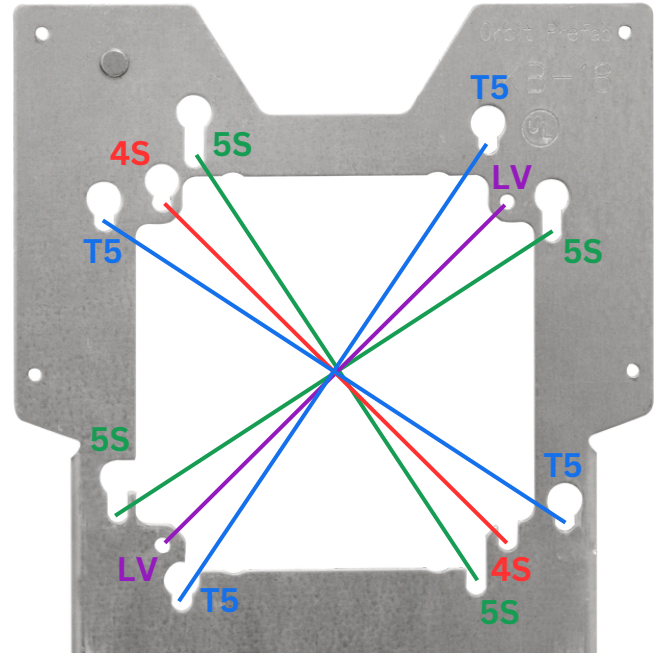
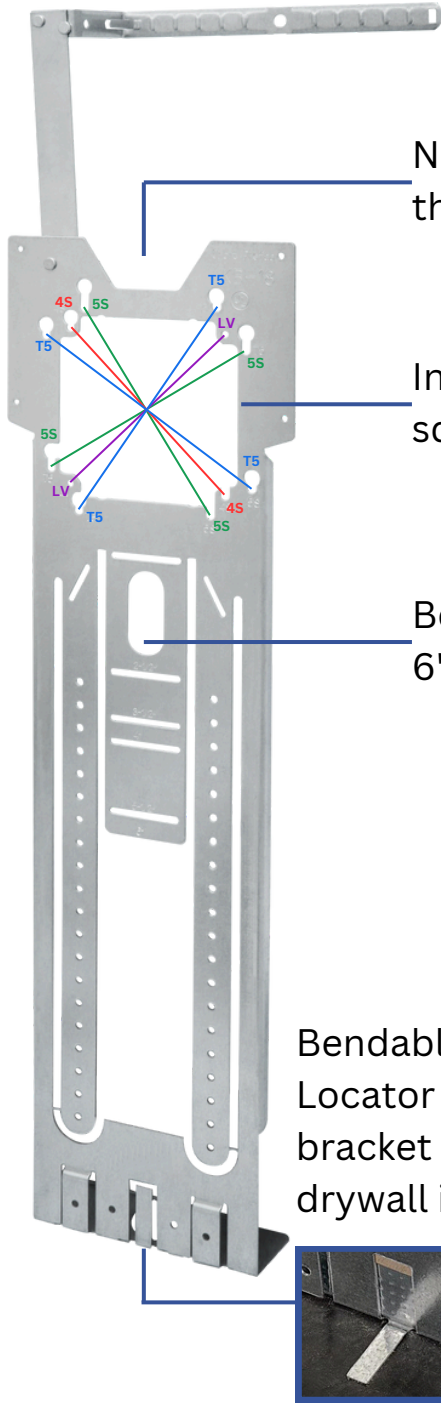
KB-18

KB-18 INSTALLED

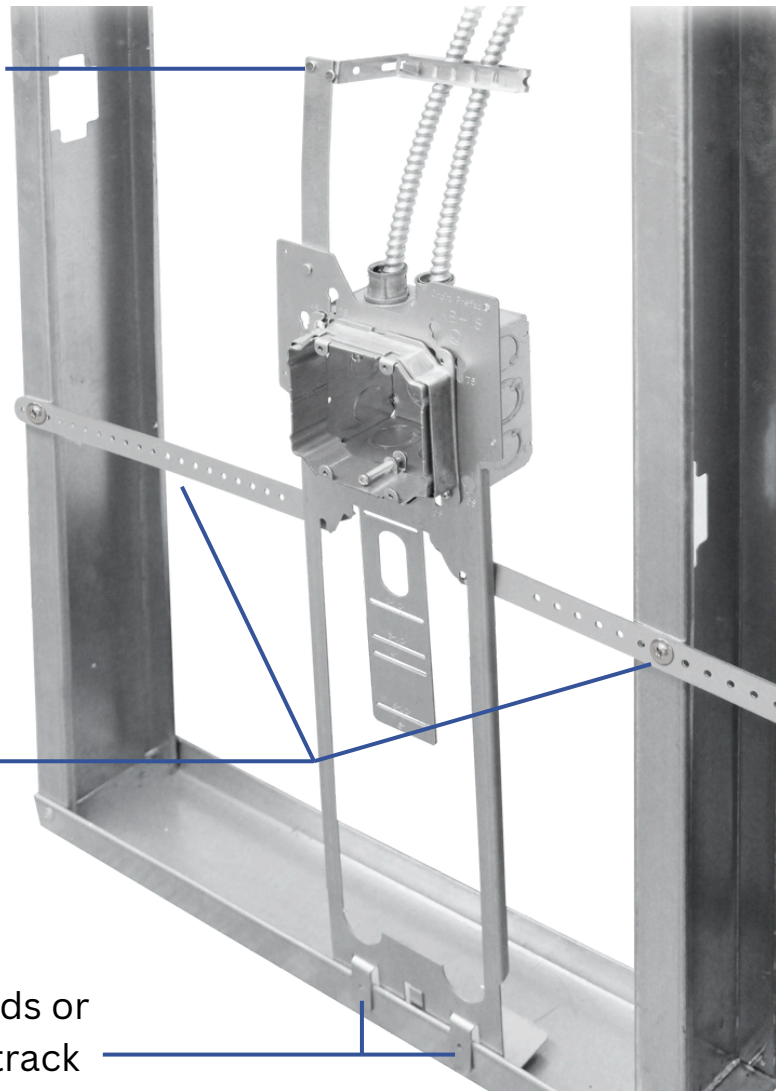


- Compatible with 4", 4 11/16" and 5" square boxes
- Measures at a standard height of 18" box center
- Unique keyhole pattern allows box to be turned 90°
- Use 4" rings on any size box (horizontally and vertically)
- Keyhole pattern holds any size box in place when ring is removed
- 4" rings can be mounted on their own for low voltage applications using 8/32 screws
- Bendable bottom center mark indicates bracket placement after drywall installation
- Up to 6" Back Support for additional stability
- Optional Stud Supports can be folded out when installed between studs
- Bottom tabs allow for brackets to be installed under or dropped onto the stud track
- Preinstalled CS-CJ6 for cable support
- Attach an extra 4", 4 11/16", or 5" sq. box (with UMA-LVBS)
- Low profile design accepts up to 2" fittings
- Top notch provides easy access to set screw fittings

1 BOX POSITION KICK BRACKET 18" HEIGHT



Integrated CS-CJ6 (Cable Support)

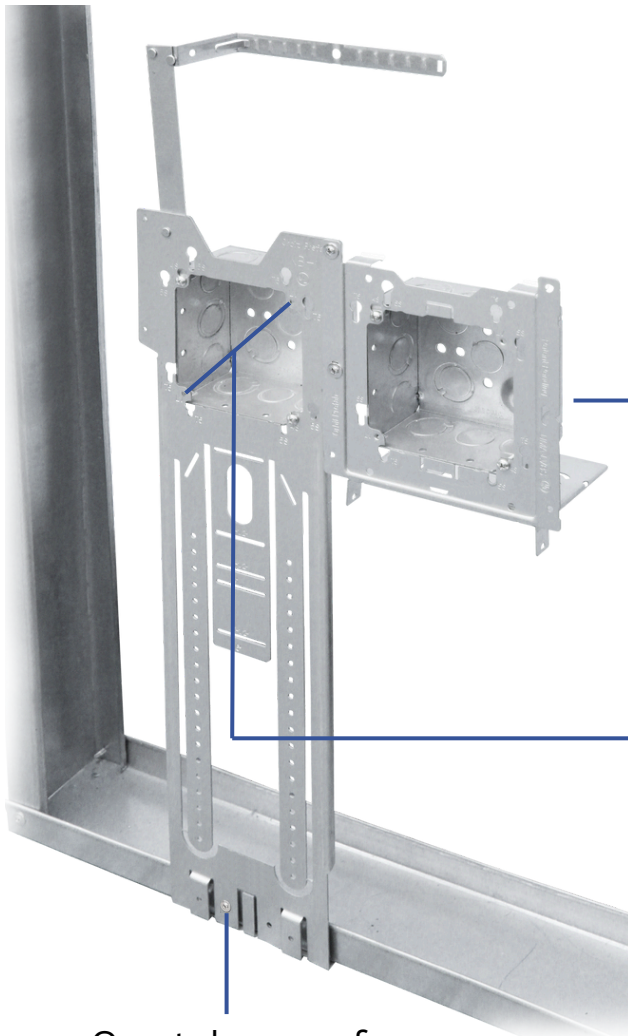


Optional foldout stud support (One tek screw on each side to secure KB-18)



Mounts inside studs or drops onto stud track

1 BOX POSITION KICK BRACKET 18" HEIGHT



Attach UMA-LVBS on both sides for mounting additional boxes

LV holes for installing rings on any size box (Horizontally or Vertically)

One tek screw for between stud application

Install directly to stud with one tek screw

