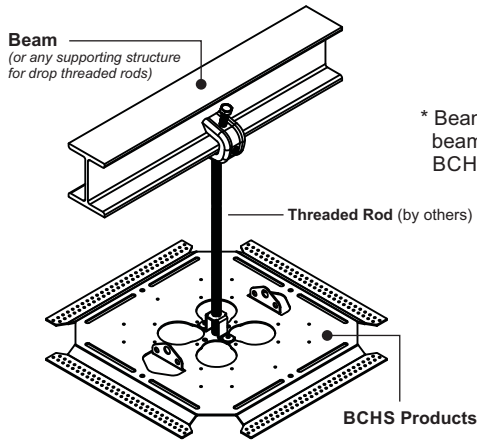
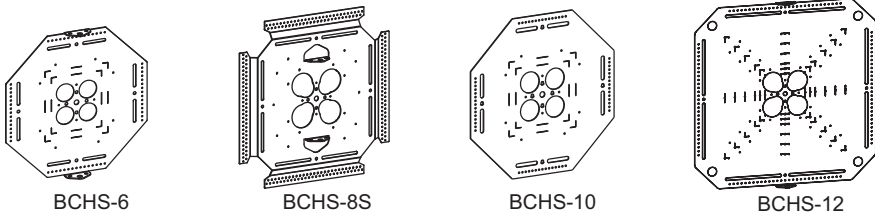


INSTALLATION INSTRUCTIONS

Note: This file provides a general installation guide on how BCHS adapters and flange nuts function across all Orbit Box & Conduit Hanger Support (BCHS) products when installed from a drop threaded rod.

Threaded Rod minimum tensile strength is 60,000 psi.
Weight support is from CENTER of BCHS (1/4", & 3/8" Threaded Rod).



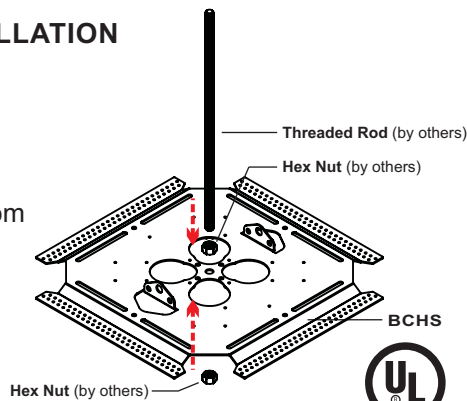
* Beams (or other structural elements), threaded rods, beam clamps, adapters, and nuts are not included with BCHS products.

HEX NUT INSTALLATION

BCHS Series can be used with 1/4", & 3/8" Threaded Rod.

Simply insert the Threaded Rod into BCHS with hex nuts on top and bottom to lock its position.

Weight Support - 110 lbs.

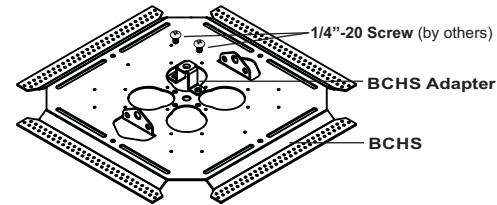


INSTALLATION INSTRUCTIONS

BCHS ADAPTER INSTALLATION

SCREW INSTALLATION

Attach the adapter to the BCHS plate using (2) 1/4"-20 fully threaded, 1/2" long screw.



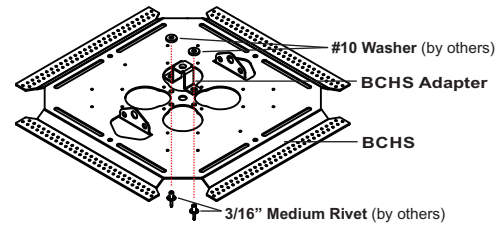
Recommended torque is 35 in-lbs.

Weight Support - 110 lbs.

The mounting holes on the BCHS adapter are threaded for easy installation.

RIVET INSTALLATION

Attach the adapter to the BCHS plate using two rivets.

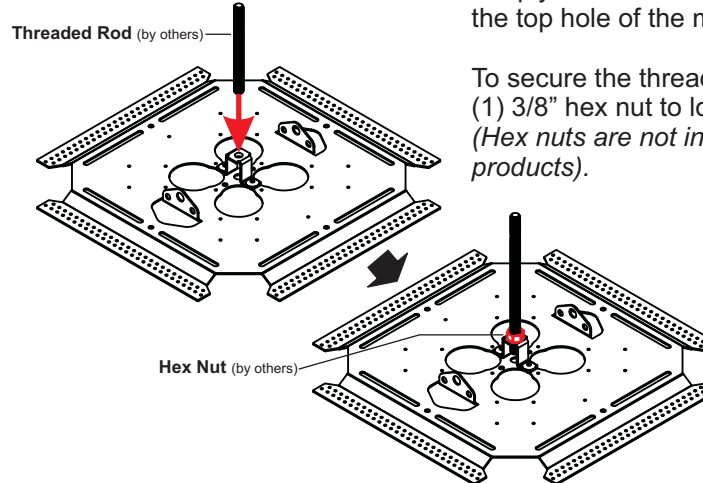


Recommended size is 3/16" Medium Aluminum Rivets with No.10 washer on top.

Weight Support - 70 lbs.

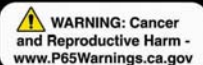
THREADED ROD INSTALLATION

Simply drive the 3/8" Threaded Rod into the top hole of the mounted adapter.



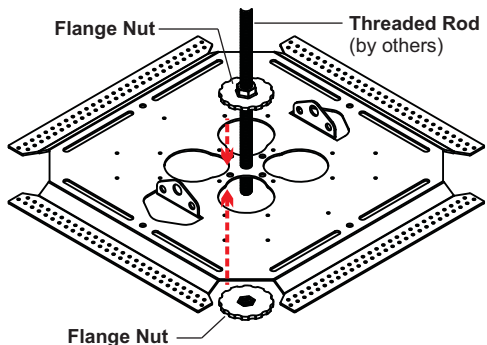
To secure the threaded rod in place, use (1) 3/8" hex nut to lock its position. (Hex nuts are not included with BCHS products).





INSTALLATION INSTRUCTIONS

FLANGE NUT INSTALLATION

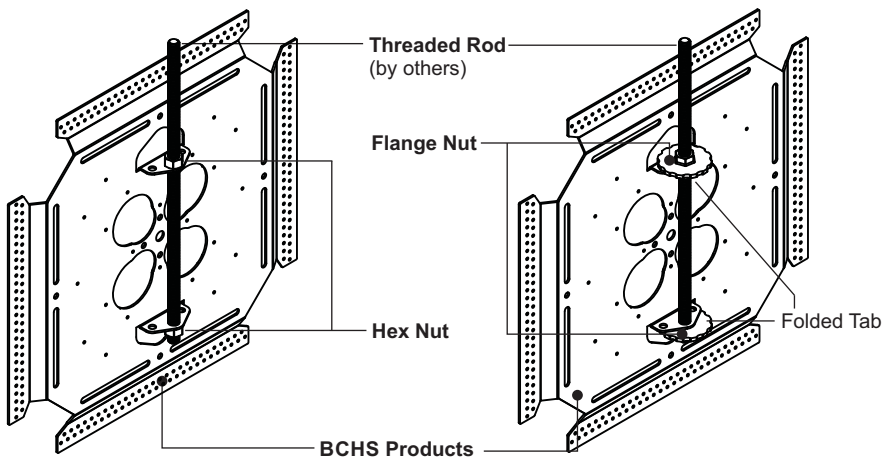


To securely install the BCCHS plate onto the threaded rod, use (2) Flange Nuts to hold the BCCHS plate top and bottom. FN-37

Weight Support - 110 lbs

(Flange nuts are not included with BCCHS products, sold separately).

VERTICAL INSTALLATION



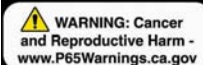
Hex Nut Installation

Flange Nut Installation

BCCHS Series can be used with 1/4", & 3/8" Threaded Rod.

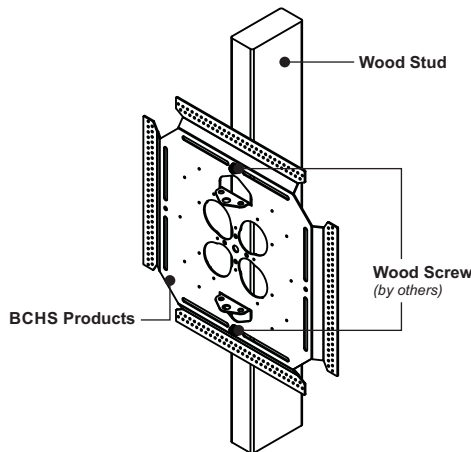
Simply insert the Threaded Rod into folded tab with hex nut or flange nut on top and bottom to lock its position.

Weight Support - 7 lbs.



INSTALLATION INSTRUCTIONS

WALL MOUNT INSTALLATION



BCCHS Series products can be used for wall mount installation. Secure the BCCHS plate using at least two wood screws to create a stable mounting surface.

This setup allows installers to attach multiple boxes or devices onto the BCCHS plate.

PART NO.	BOX SIZE	THREADED ROD SIZE	FIXTURE/LUMINAIRE SUPPORT (lbs)	
			HORIZONTAL MOUNT	VERTICAL MOUNT
BCHS-6	4" ~ 6"	1/4-20, 3/8-16	110	7
BCHS-8S	4" ~ 8"	1/4-20, 3/8-16	110	7
BCHS-10	4" ~ 6"	1/4-20, 3/8-16	110	7
BCHS-12	4" ~ 12"	1/4-20, 3/8-16	110	7

