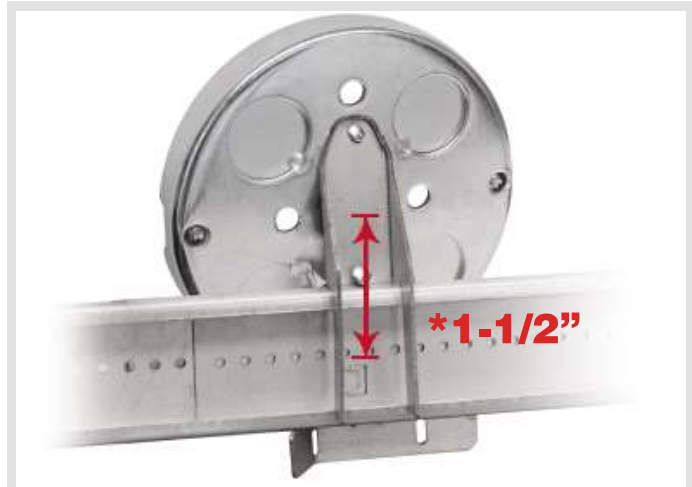


**NEW!**



**BARB-SLIM**



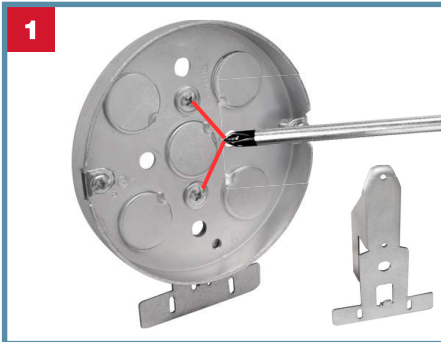
Shown installed with 4PB and BHA-16

\*Ensure **Pancake box** center is positioned 1-1/2" above the BHA-16 & BHA-24 centerline for K.O. access.

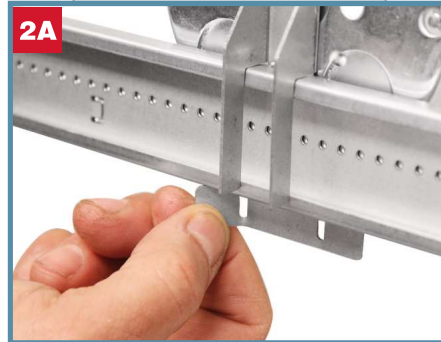
Preassembled

**-OR-**

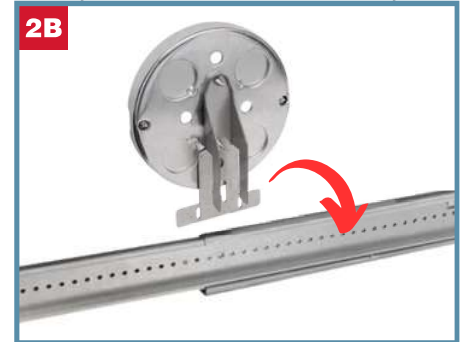
In-Field



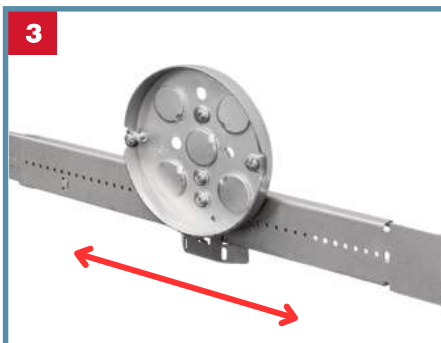
**1**  
Mount using two sharp point wafer head screws. (Note: Ensure the pancake box has four holes aligned properly when installing the screws.)



**2A**  
For preassembly and transportation, drop the BARB-SLIM onto the Bar Hanger and bend the locking tab to secure it in place.



**2B**  
Place the BARB-SLIM onto the Bar Hanger. Ensure the Bar Hanger height is 1-1/2" lower than the desired position of the light fixture. (Note: The BARB-SLIM raises the pancake box by 1-1/2" to allow back K.O. access.)



**3**  
Adjust the BARB-SLIM left to right on the Bar Hanger for the desired location.



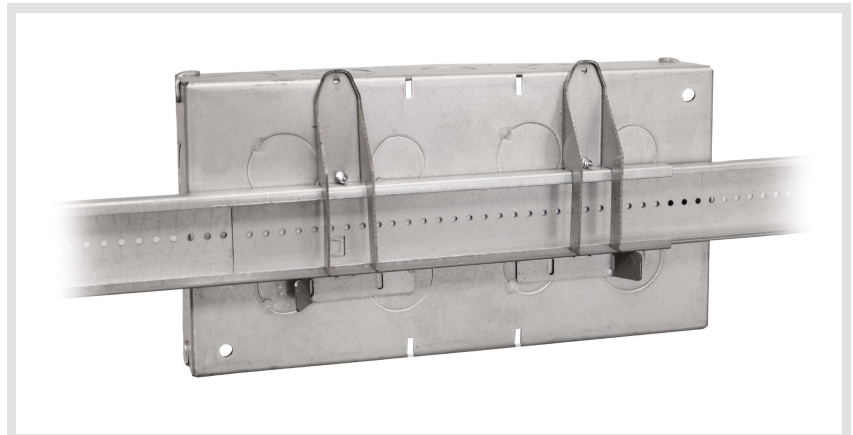
**4**  
Secure the BARB-SLIM to the Bar Hanger at the front face attachment point using one Tek Screw when ready to set in place.



**NEW!**



**BARB-SLIM**

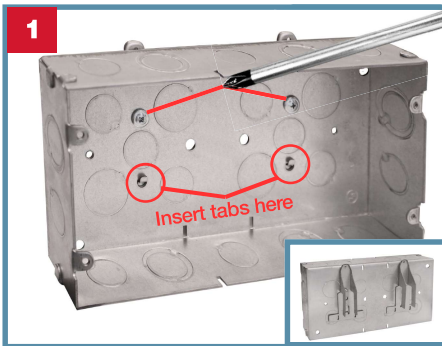


Shown installed with Multigang box and BHA-16  
Each **Multigang box** is centered at the centerline  
of the BHA-16 & BHA-24.

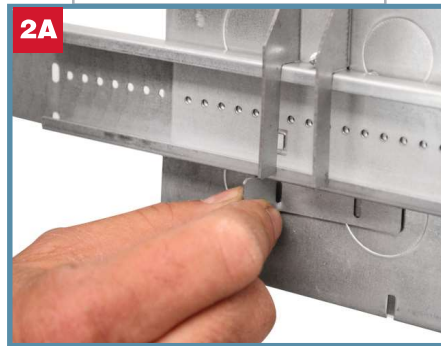
**Preassembled**

**-OR-**

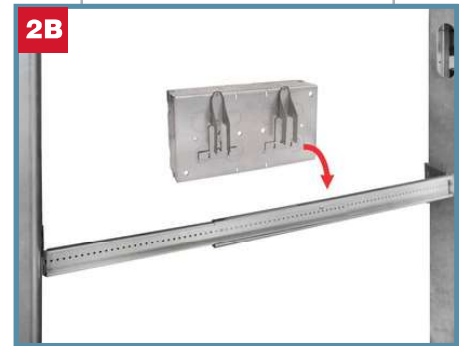
**In-Field**



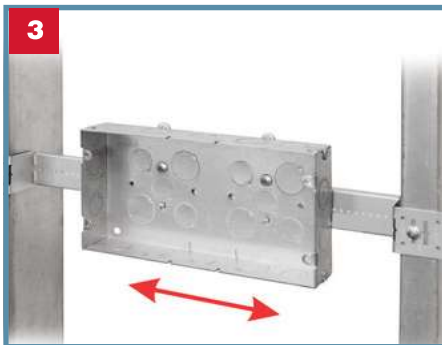
**1**  
Mount two BARB-SLIM brackets to multigang box by first inserting the tab at the bottom of each bracket into the multigang box. Next, use one sharp point wafer head screw for each bracket to complete box mounting. (Required)



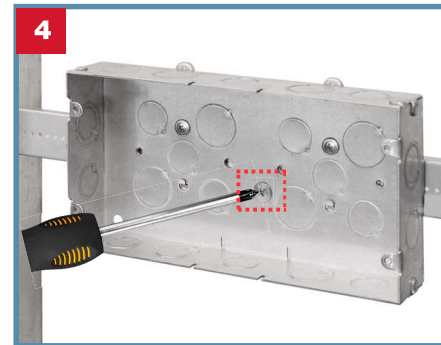
**2A**  
For preassembly and transportation, bend the locking tab to secure the BARB-SLIM & Bar Hanger into place.



**2B**  
Place the BARB-SLIM brackets onto the Bar Hanger. The Multigang Box should be centered with the BARB-SLIMs.



**3**  
Adjust the BARB-SLIM left to right on the Bar Hanger for the desired location.



**4**  
Secure the BARB-SLIM to the Bar Hanger at the front face attachment point using one Tek Screw when ready to set in place.