

INSTALLATION INSTRUCTIONS



WARNING: The LED Temporary work light must be installed in an appropriate environment, operating in harsh environments may shorten the life span or even damage the device.

WARNING: To avoid electric shock: Be certain electrical power is OFF before and during installation and maintenance.

WARNING: Make sure the supply voltage is the same as the rated fixture voltage.

WARNING: To ensure personal safety, please make sure the device is staying firmly and securely when install on high places.

WARNING:

Do not submerge.

Risk of electric shock. Do not use where directly exposed to water.

Please keep the device away from any corrosive substance, clean with dry cloth only.

Modifications to the product voids the warranty

Keep lens tightly closed when in operation.

The temporary work light is non-dimmable

NOTE: Read Instruction carefully before installing. Keep these instructions for future reference.

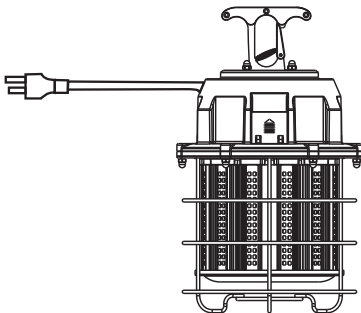
Suitable for damp locations

Operating Temperature: -40°C to 60°C (-40°F to 140°F)

Unpacking check: Please check and make sure there is no sign of physical damage to the product when unpacking. Do not use damaged product.

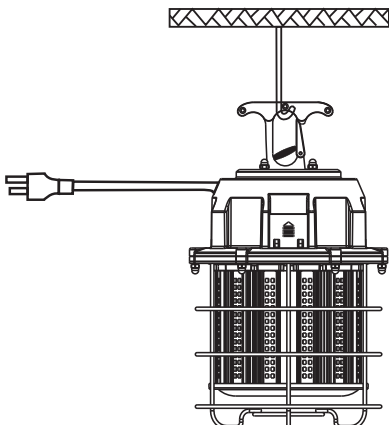
STEP 1:

Unwind the plug cord.



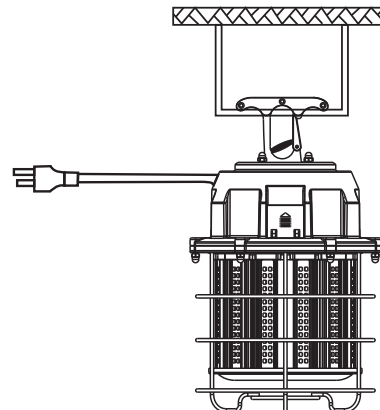
STEP 2:

Hang up the fixture.



STEP 3:

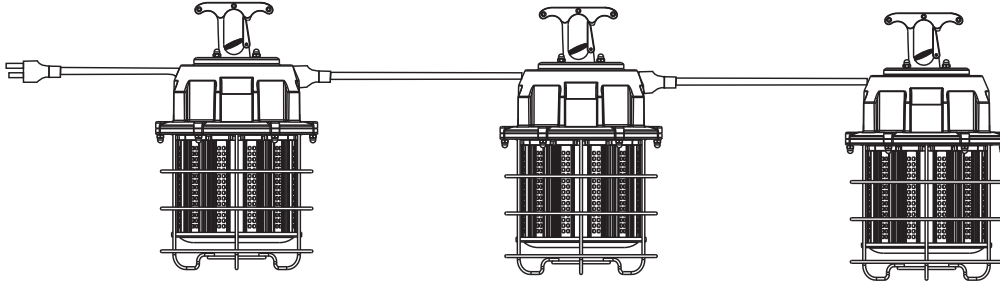
Plug the power cord to a power outlet.
Turn on the switch and see if the device is operating accordingly.



INSTALLATION INSTRUCTIONS

STEP 4:

Built-in female receptacle designed to make lamp connect in series like string lights. It can connect up to 14pcs of 60W fixtures, 8pcs of 100W fixtures, 5pcs of 150W fixtures, or a combination of the three, not exceeding 900W at the same time. User can choose to connect several work lights in series or use alone.

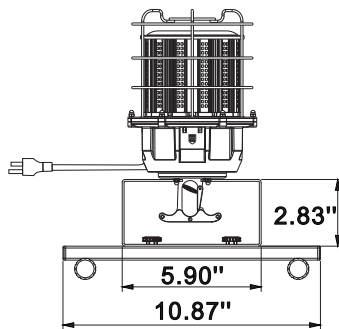


MODEL NO.	INPUT VOLTAGE	WATTS	LUMEN	EQUIVALENT
LTL-60W-CW	120~277V	60W	7200lm	250W MH
LTL-100W-CW	120~277V	100W	12000lm	400W MH
LTL-150W-CW	120~277V	150W	18000lm	600W MH

Optional Accessories:

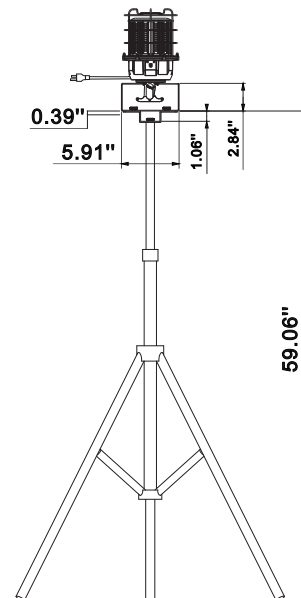
Two types of brackets are available to work with the temporary light. Please check www.orbitelectric.com for more information.

Option 1: Floor Stand Bracket



LTL-FS

Option 2: Tripod Stand Bracket



LTL-TS