

## INSTALLATION INSTRUCTIONS

**WARNING:** All work must be performed by qualified electrician. Luminaire must be installed and grounded in accordance with the National Electrical Code (NEC) and local codes. Failure to do so may result in serious injury and/or damage to the luminaire.

**WARNING:** Debris must be kept clear from top and interior of in-grade fixtures. Excessive heat could occur that may create a fire hazard and/or harm the fixtures components. Specific attention must be made to never install in-grade fixture in mulch, wood chips or other potentially ignitable materials. For installation in potentially ignitable materials, such as mulch and wood chips, installer must use an above-grade mounted fixtures. Failure to do so will void the warranty and may result in serious injury and/or damage the fixture and/or property.

**SAFETY WARNING:** Luminaire can become very hot depending on the lamp wattage used. Lens and housing around the lamp can become hot enough to blister hands. Particular care should be taken not to locate luminaires where small children can reach them if high wattage lamps are used.

**NOTE:** Save these instructions for future reference.

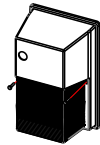
### PRECAUTION:

This luminaire is designed to be mounted on a junction box, which should be directly supported by the building structure.

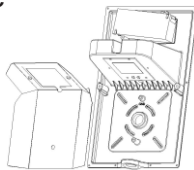
### MOUNTING FOR WALLS/SURFACES:

1. To prevent electrical shock, disconnect power from electrical supply before installation or service.
5. Attach luminaire leads to line observing polarity, black to black, white to white and green to ground using safety connectors provided.

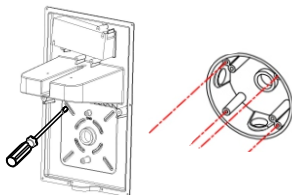
2. Remove the two screws on both sides of the fixture.



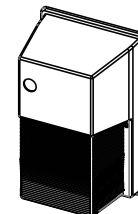
3. Loosen the three screws of the reflector and push down to remove
6. Put back the reflector and tighten.



4. Check the j-box on which knock-out is going to use in the fixture. To open the knockout holes, use hammer and flat blade screwdriver.



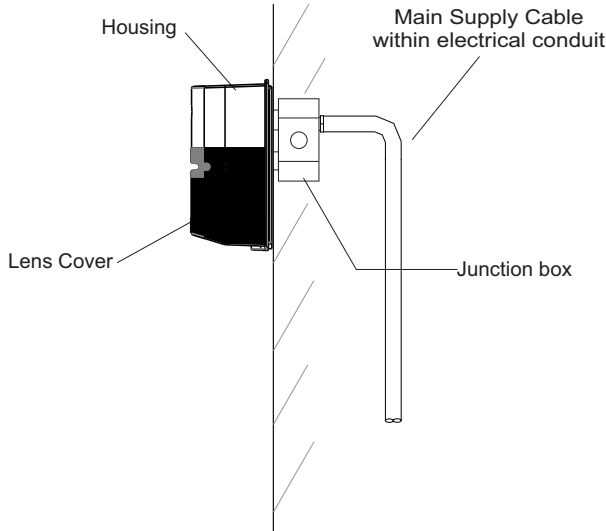
7. Re-install the shade.



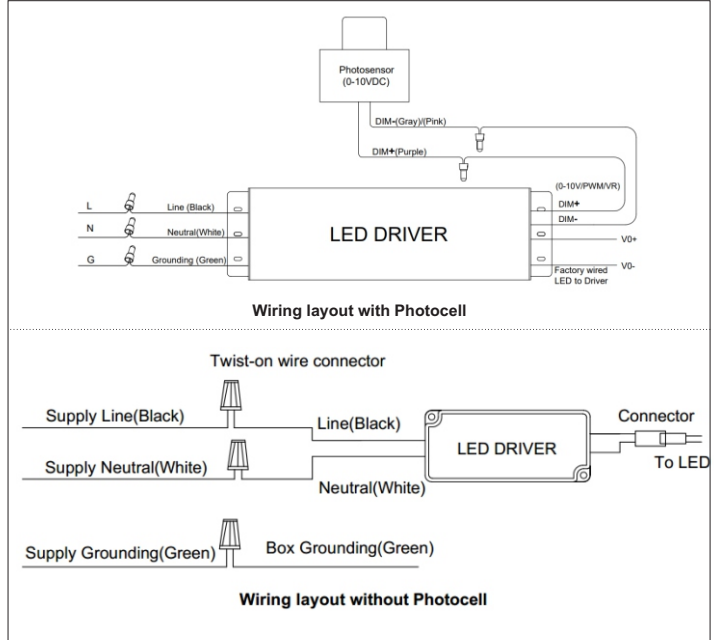
5. Install fixture housing to the j-box.

8. Turn ON power and check for proper operation.

# INSTALLATION INSTRUCTIONS



**NOTE:** Illustrations are used for reference purposes only; actual fixture may differ on each luminaire.



**After installation, please.**

- Check whether the lighting fixture is firmly fixed.
  - Check whether wires are connected correctly.
  - At last, turn on the power, and check if the lighting fixture works well.
- If not, please turn off the power and contact with your sales representative.

MODEL NO.	DLC Product ID	INPUT VOLTAGE	WATTS	MAX. INPUT AMP.	DIMMING
LP741-30W	PLEITROZFRMH	120~277V	30W	0.32A	0-10V