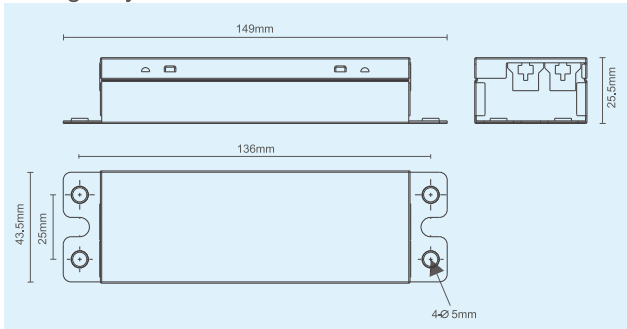


Emergency LED Driver LLHB2-EM (YH12-W890)



Emergency LED Driver



Product description

- LED emergency converter that can transfer standard LED fitting into emergency LED fitting.
- Used with Lithium iron phosphate battery.
- Suits for LED fitting with external led driver.
- Accessory: test switch and charge indicator.

Relevant standard

UL924

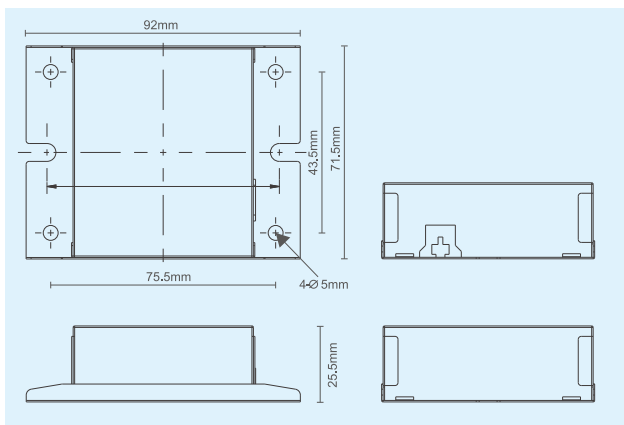
Applications

- Use in damp and dry environment.
- For use on a wide range of LED fittings to convert them from standard to emergency fitting.
- LED fitting would be maintained emergency LED fitting if standard (main powered) driver, emergency lighting kit and battery are all retained in the circuit.
LED fitting would be non-maintained emergency LED fitting if only emergency lighting kit and battery are retained in the circuit.
- Additional Relay that can control standard LED driver.
- Deep discharge protection.
- Connector between emergency kit and battery has the function of polarity reversal protection.
- Ambient range to 50°F ~ 122°F (10°C ~ 50°C)
- IP20 protection, relies on end-product enclosure for protection against accidental contact live parts.
- Not intended for use in luminaires for high-risk task area lighting.
- Full warranty 3 years.

Technical data

- Input rated voltage: 100-277V AC 50-60Hz
- AC input current 10-80mA
- AC Input power rated 4 W max
- Power factor: >0.5
- Charge time ≥24 hours
- Charge mode: trickle re-charging on battery.
- Output emergency power 8 wattage, 130mA~540mA output current.
- Output voltage DC15~55V, DC60V max
- Battery capacity (LiFePo4):
9.6V 1500mAh IFR18650 3S1P
- Battery Charging Current 0-250mA
- 1.5 hours rated duration
- Charging indicator light
Red on—Battery is charging
- Max. casing temperature tc 158°F / 70°C
- Lumen Factor: 100lm/Wattage
- Reinforced insulation between the supply and the battery circuit.
- This unit can recharge the battery normally after reconnecting of battery.

Lithium iron phosphate battery LLHB2-EM (YHBA3-1.5)



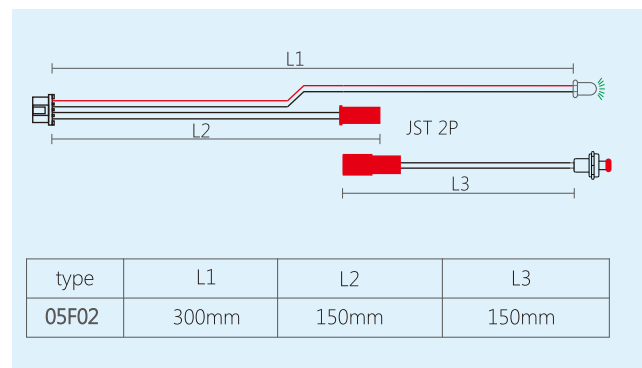
Product Description

- High-temperature Lithium iron phosphate batteries
- 3 Cells Lithium iron phosphate Battery pack

Technical Data

- Rated 500 charge/discharge cycle
- 18650 battery core
- Battery voltage 3.2V/Cell
- Max. short term temperature 158°F / 70°C
- Ambient temperature 32°F to +122°F (0°C to +50°C)

Test switch and LED indicator



Product description

- For connection to the emergency lighting unit
- The test switch for checking the device function
- The LED indicates that charging current is flowing into the battery
- Plug connection

LED indicator

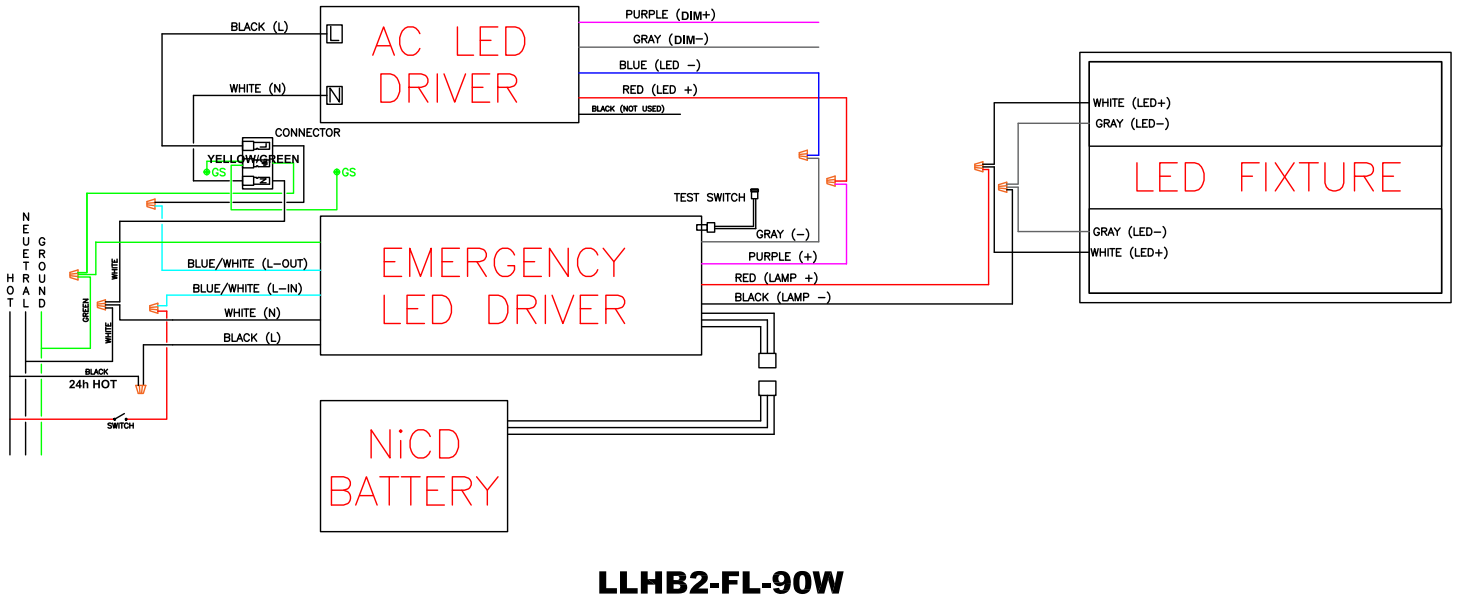
- Mounting hole 6.5mm dia
- Wire insulation rating: 185°F / 85°C

Test switch

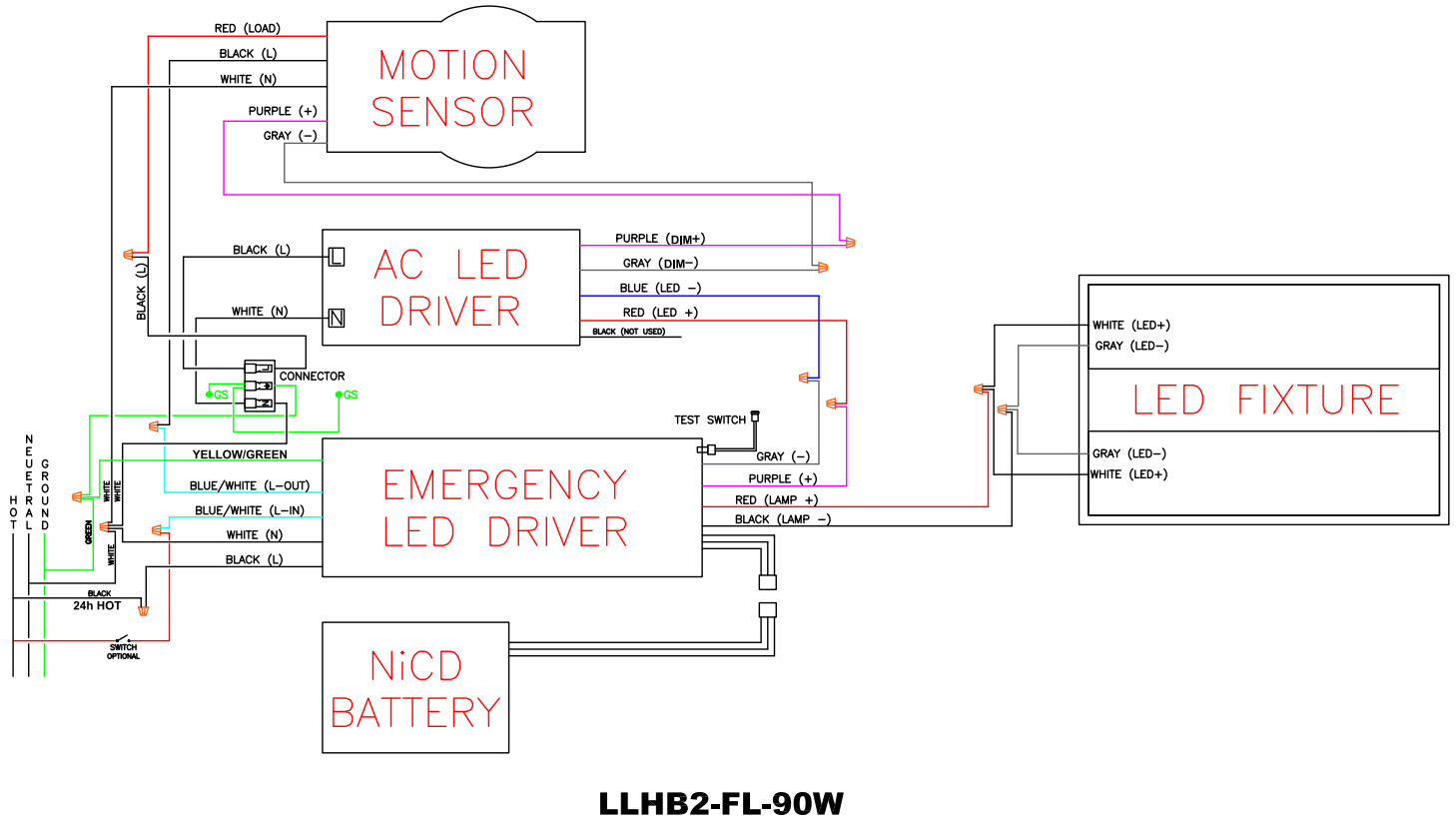
- Mounting hole 7mm dia
- Wire insulation rating: 185°F / 85°C

 Red stable: charging mode, battery is connected and charging.

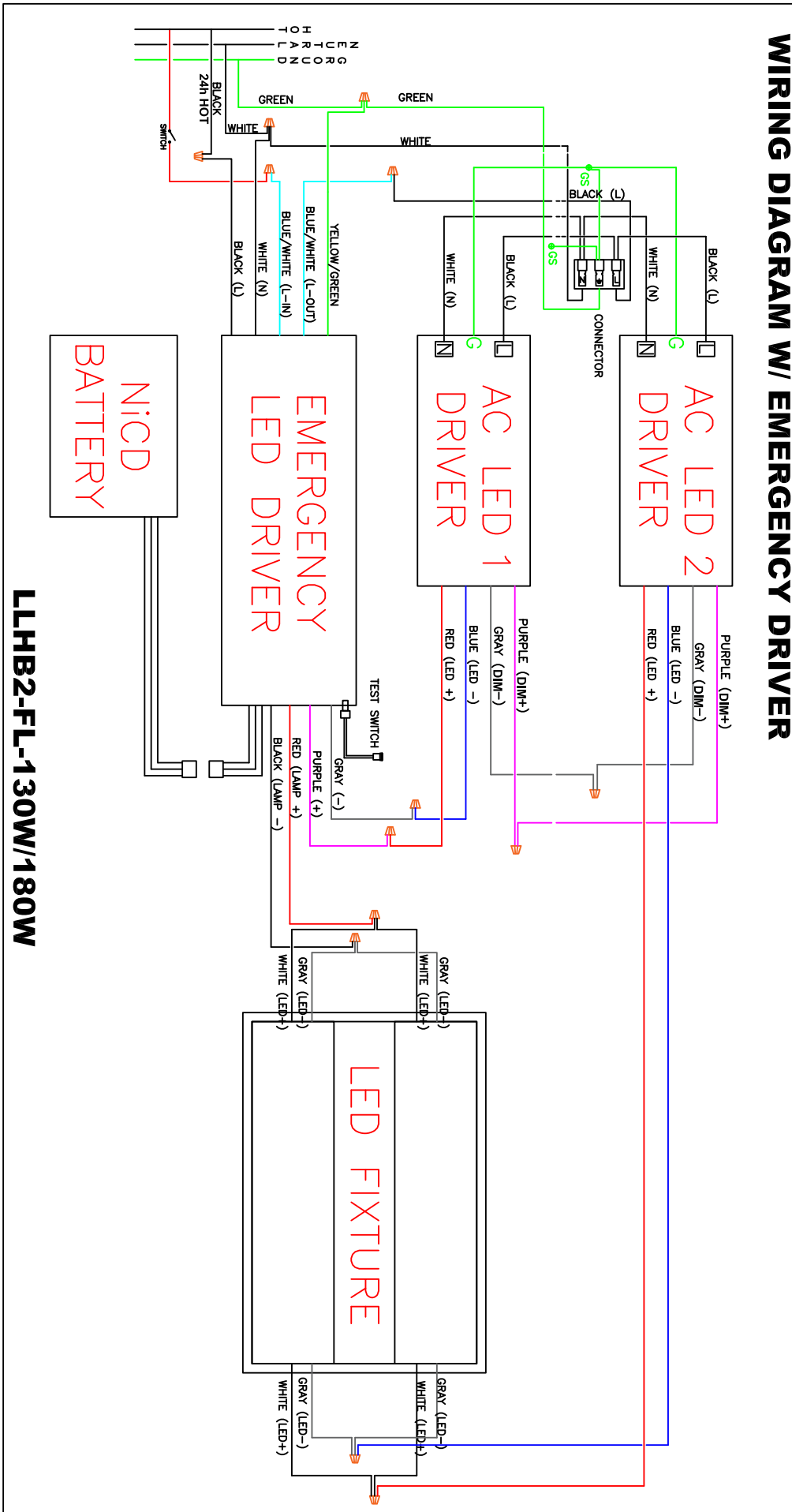
WIRING DIAGRAM W/ EMERGENCY DRIVER



WIRING DIAGRAM W/ EMERGENCY DRIVER AND MOTION SENSOR

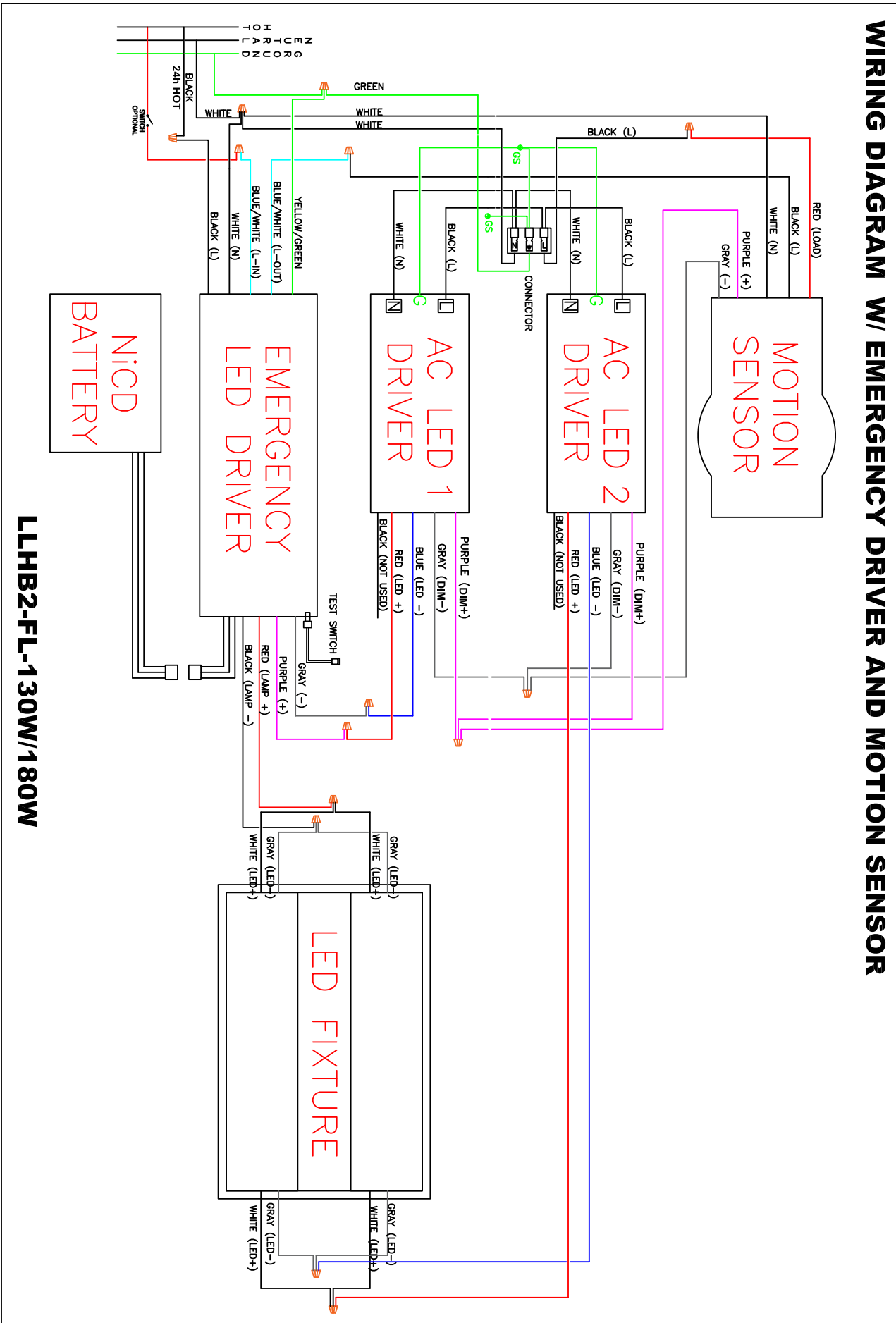


WIRING DIAGRAM W/ EMERGENCY DRIVER



LLHB2-FL-130W/180W

WIRING DIAGRAM W/ EMERGENCY DRIVER AND MOTION SENSOR



LLHB2-FL-130W/180W