

INSTALLATION INSTRUCTIONS



WARNING: All work must be performed by qualified electrician. Luminaire must be installed and grounded in accordance with the National Electrical Code (NEC) and local codes. Failure to do so may result in serious injury and/or damage to the luminaire.

WARNING: To avoid risk of fire, explosion, or electric shock, this product should be installed, inspected, and maintained by a qualified electrician only and in accordance with all applicable codes.

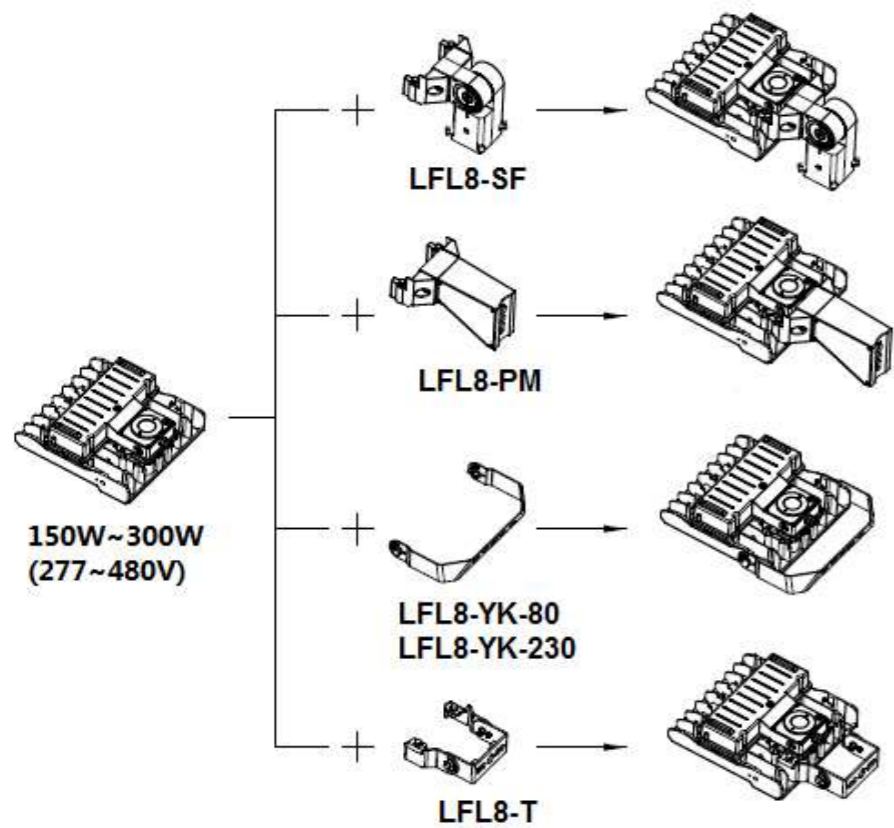
WARNING: To avoid electric shock: Be certain electrical power is OFF before and during installation and maintenance. Luminaire must be connected to a wiring system with an equipment grounding conductor.

WARNING: Make sure the supply voltage is the same as the rated luminaire voltage. Do not install where marked operating temperatures exceed the ignition temperature of the hazardous atmosphere. Do not operate in ambient temperatures above those indicated on the luminaire nameplate. Keep lens tightly closed when in operation. All the products cannot be installed on woods.

NOTE: For supply connections use wire rated for at least 90°C/194°F. Save these instructions for future reference.

NOTE: LFL8 480V Series Operating Voltage: 277~480VAC

Four Mounting Option, Faster Installation Design



NOTE: Illustrations are used for reference purposes only; actual fixture may differ on each luminaire.

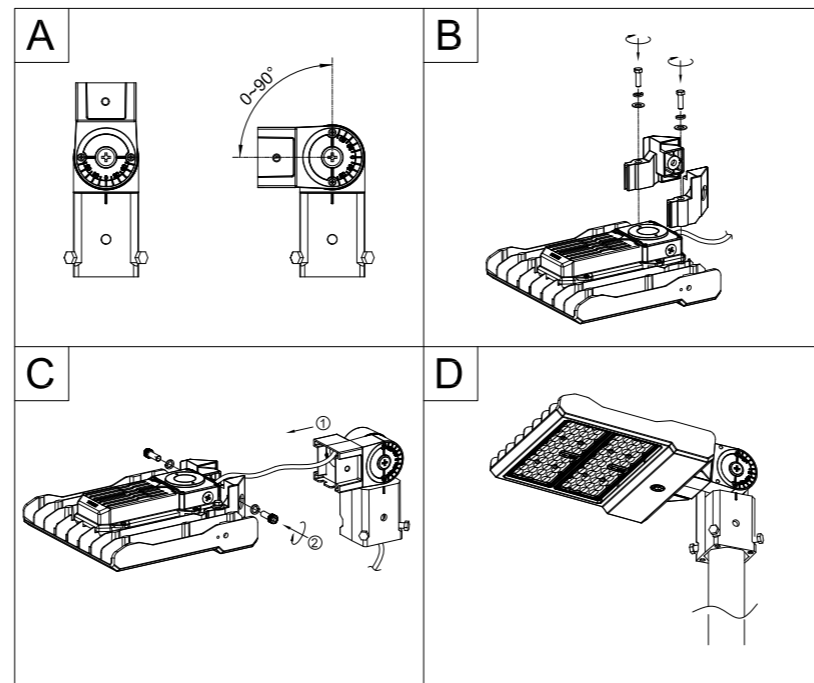
INSTALLATION INSTRUCTIONS

Refer to the following diagram when you install the fixture

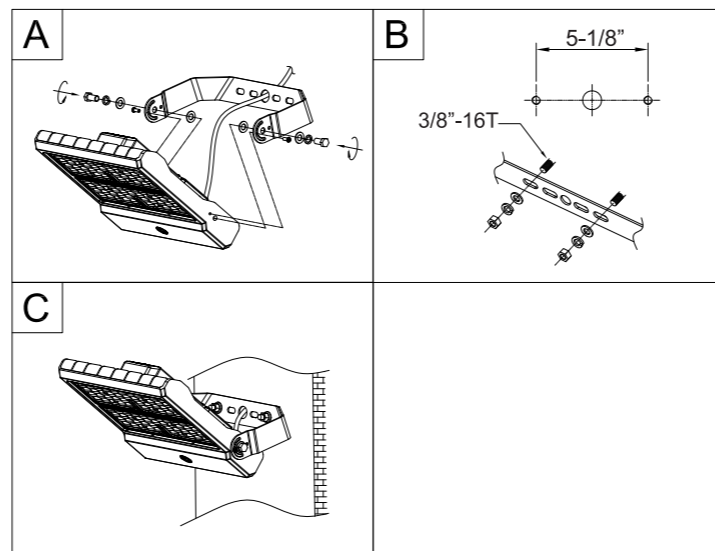
NOTE: To prevent electrical shock, disconnect power from electrical supply before installation or service.

1. SLIP FITTER TYPE

PRECAUTION: This luminaire is designed to be mounted on a pole or post up to 2-3/8" diameter only.



2. YOKE MOUNT TYPE

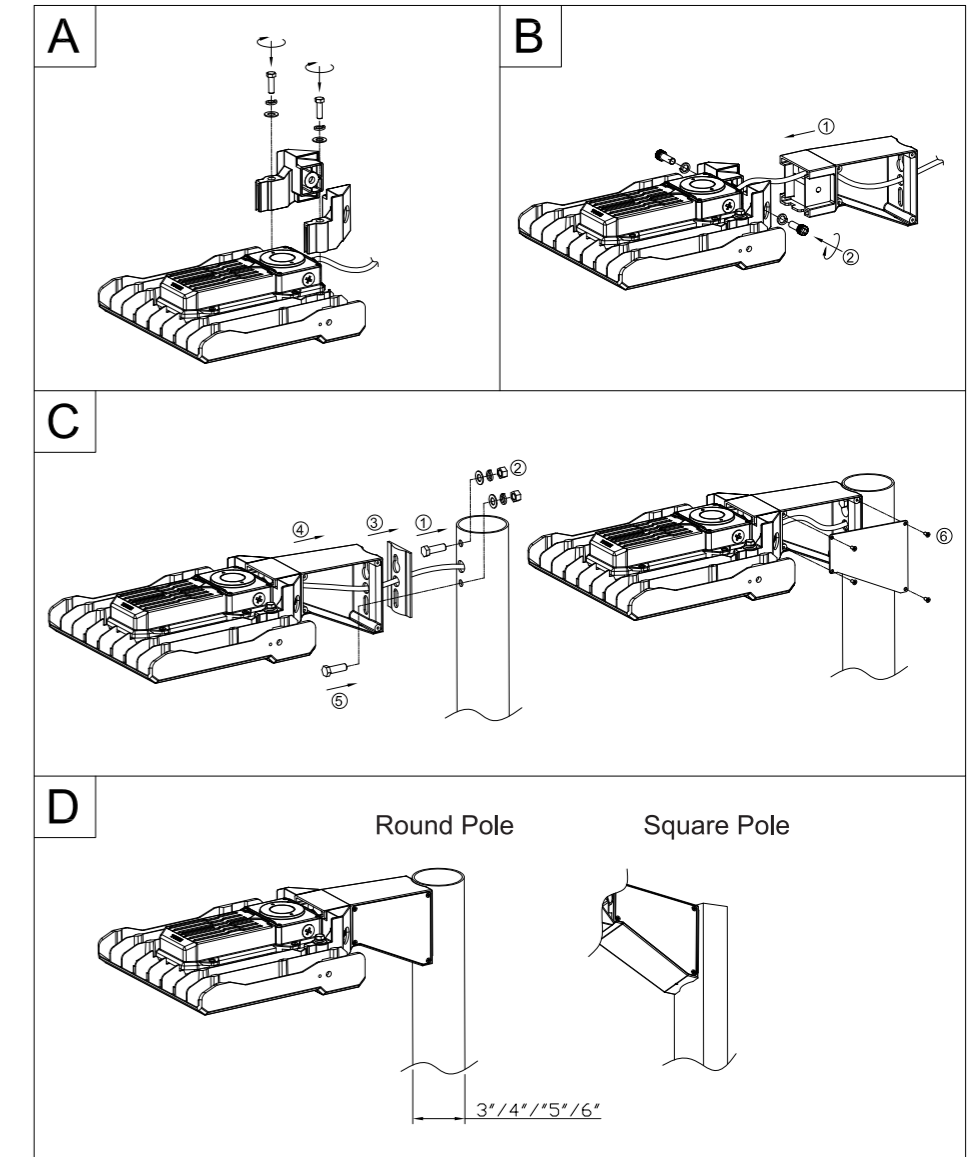


NOTE: Illustrations are used for reference purposes only; actual fixture may differ on each luminaire.

INSTALLATION INSTRUCTIONS

NOTE: To prevent electrical shock, disconnect power from electrical supply before installation or service.

3. POST MOUNT TYPE

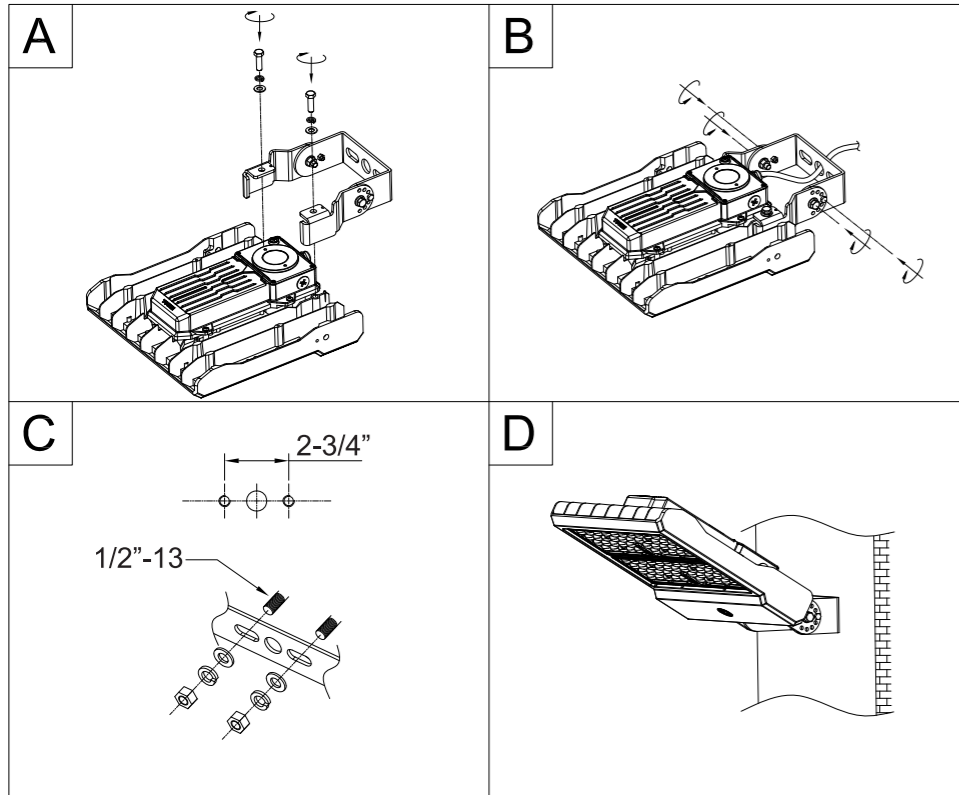


NOTE: Illustrations are used for reference purposes only; actual fixture may differ on each luminaire.

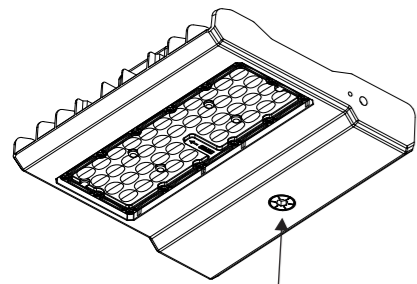
INSTALLATION INSTRUCTIONS

NOTE: To prevent electrical shock, disconnect power from electrical supply before installation or service.

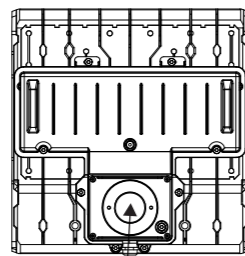
4. TRUNNION MOUNT TYPE



Motion Sensor and Photosensor Installation Positions



Reserved 1/2"-14T thread hole for sensor

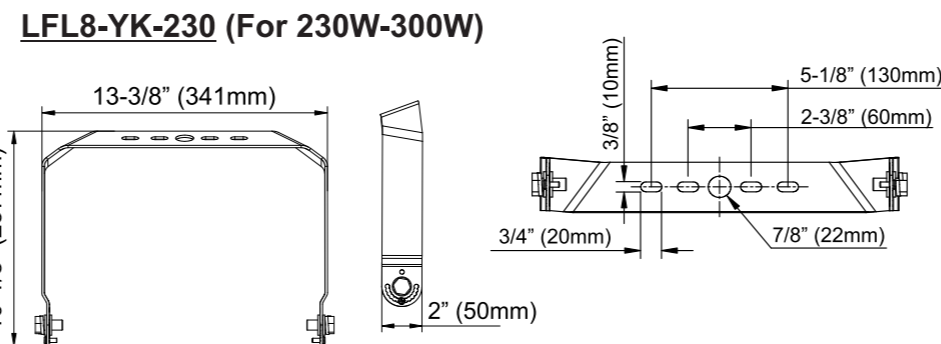
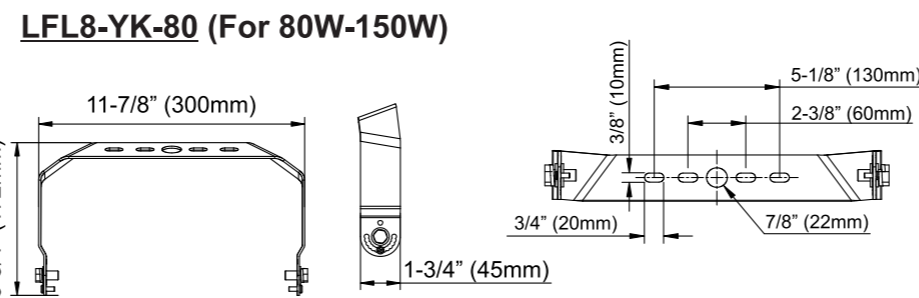
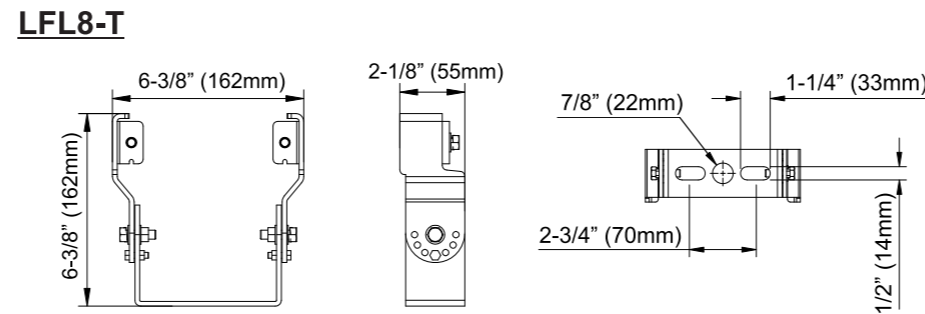
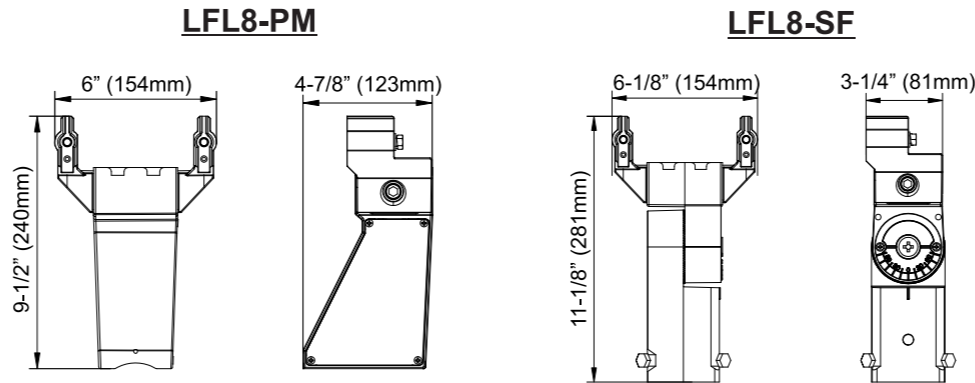


Reserved hole for Photosensor

NOTE: Illustrations are used for reference purposes only; actual fixture may differ on each luminaire.

INSTALLATION INSTRUCTIONS

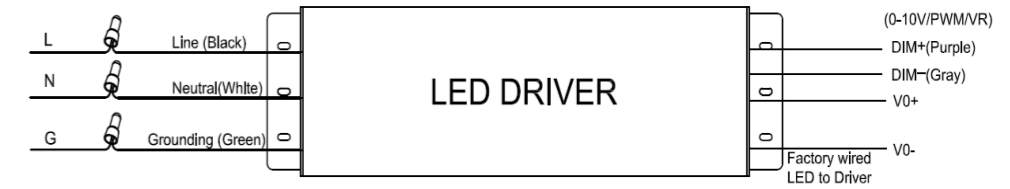
BRACKET DIMENSIONS - (BRACKET SOLD SEPARATELY)



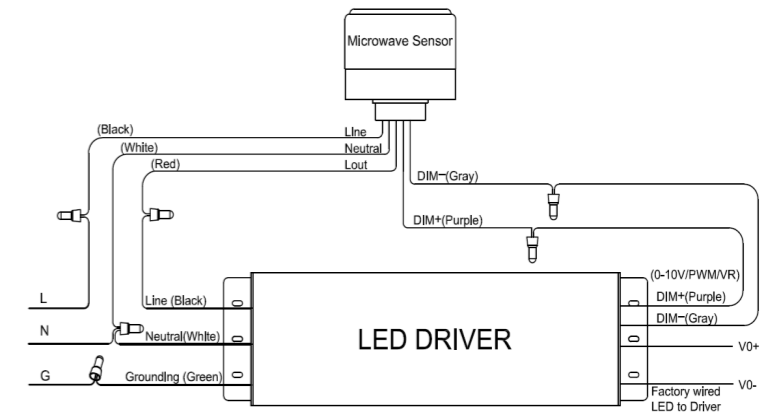
NOTE: Illustrations are used for reference purposes only; actual fixture may differ on each luminaire.

INSTALLATION INSTRUCTIONS

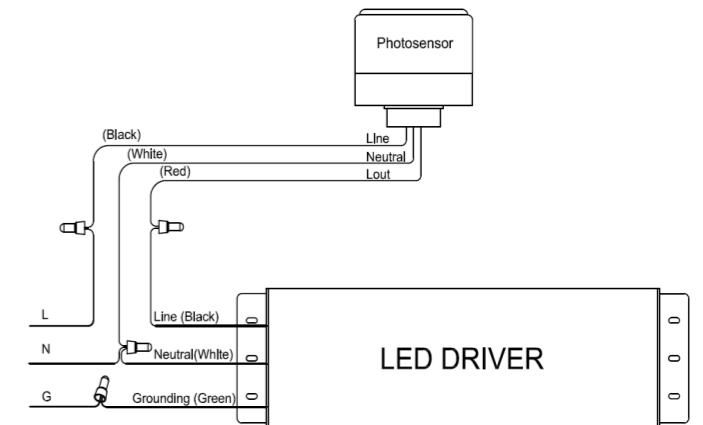
WIRING DIAGRAMS



Without sensor or photosensor



With Motion Sensor



With Photosensor

After installation, please

- Check whether the lighting fixture is firmly fixed.
 - Check whether wires are connected correctly.
 - At last, turn on the power, and check if the lighting fixture works well.
- If not, please turn off the power and contact with local dealer

MODEL NO.	INPUT VOLTAGE	WATTS	MAX. INPUT AMP.	DIMMING
LFL8-150W-H-480V	277~480V	150W	0.88A	0-10V/PWM/VR
LFL8-230W-H-480V	277~480V	230W	1.4A	0-10V/PWM/VR
LFL8-300W-H-480V	277~480V	300W	1.85A	0-10V/PWM/VR