

INSTALLATION INSTRUCTIONS



WARNING: All work must be performed by qualified electrician. Luminaire must be installed and grounded in accordance with the National Electrical Code (NEC) and local codes. Failure to do so may result in serious injury and/or damage to the luminaire.

WARNING: Debris must be kept clear from top and interior of in-grade fixtures. Excessive heat could occur that may create a fire hazard and/or harm the fixtures components. Specific attention must be made to never install in-grade fixture in mulch, wood chips or other potentially ignitable materials. For installation in potentially ignitable materials, such as mulch and wood chips, installer must use an above-grade mounted fixtures. Failure to do so will void the warranty and may result in serious injury and/or damage the fixture and/or property.

SAFETY WARNING: Luminaire can become very hot depending on the lamp wattage used. Lens and housing around the lamp can become hot enough to blister hands. Particular care should be taken not to locate luminaires where small children can reach them if high wattage lamps are used.

NOTE: Save these instructions for future reference.

NOTE: Operating Voltage: 120~277VAC

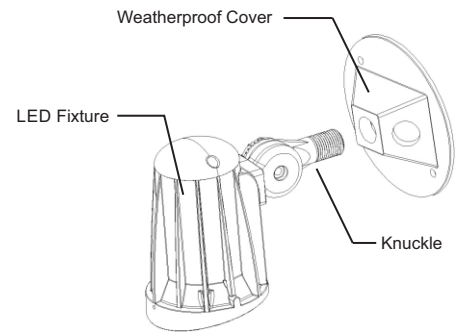
KNUCKLE TYPE

PRECAUTION:

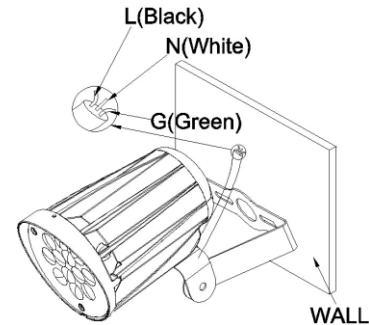
This luminaire is designed to be mounted on a weatherproof cover with 1/2" hole (or weatherproof box with 1/2" threaded hole).

MOUNTING FOR WALL/SURFACE:

1. To prevent electrical shock, disconnect power from electrical supply before installation or service.
2. Check the weatherproof cover hole size before starting any installation. The luminaire has 1/2" threaded knuckle.
3. Install the weatherproof cover to the luminaire knuckle.
4. Attach luminaire leads to line observing polarity, black to black, white to white and green to ground to weatherproof box.
5. To adjust luminaire aiming angle, un-tighten the adjustable screw on the knuckle. Do not disengage totally. Hold luminaire at selected angle and tighten the screw firmly.
6. Turn ON power and check for proper operation.



KNUCKLE TYPE



TRUNNION TYPE

TRUNNION TYPE

PRECAUTION:

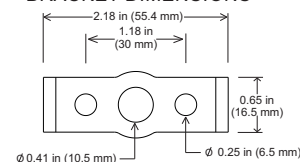
This luminaire is designed to be mounted directly to the wall or surface.

MOUNTING FOR WALLS/SURFACE:

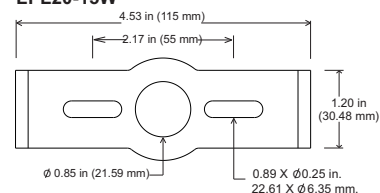
1. To prevent electrical shock, disconnect power from electrical supply before installation or service.
2. Check bracket screw hole and distance before starting any installation. Screw/bolt is not provided. See bracket hole size/distance table and bracket dimensions according to model number.
3. Drill a hole and install luminaire.
4. Attach luminaire leads to line observing polarity, black to black, white to white and green to ground.
5. To adjust luminaire aiming angle, un-tighten the adjustable screw of trunnion. Do not disengagd totally. Hold luminaire at selected angle and tighten the screw firmly.
6. Turn ON power and check for proper operation.

NOTE: Illustrations are used for reference purposes only; actual fixture may differ on each luminaire.

BRACKET DIMENSIONS



LFL20-15W



LFL20-28W LFL20-42W

MODEL NO.	Product ID	INPUT VOLTAGE	WATTS	DIMMING
LFL20-15W-CW	PDDAOSM	120~277V	15W	0-10V/PWM/VR
LFL20-15W-WW	PR0DUDAO	120~277V	15W	0-10V/PWM/VR
LFL20-28W-CW	PO4TU842	120~277V	28W	0-10V/PWM/VR
LFL20-28W-WW	PH89F25Y	120~277V	28W	0-10V/PWM/VR
LFL20-42W-CW	PHPQ9Z1Y	120~277V	42W	0-10V/PWM/VR
LFL20-42W-WW		120~277V	42W	0-10V/PWM/VR

INSTALLATION INSTRUCTIONS

KNUCKLE TYPE

PRECAUTION:

This luminaire is designed to be mounted on a weatherproof cover with 1/2" hole.

MOUNTING FOR WALL/SURFACE:

1. To prevent electrical shock, disconnect power from electrical supply before installation or service.
2. Check the weatherproof cover hole size before start any installation. The luminaire has 1/2" threaded knuckle.
3. Install the weatherproof cover to the luminaire knuckle.
4. Attach luminaire leads to line observing polarity, black to black, white to white and green to ground to weatherproof box.
5. To adjust luminaire aiming angle, un-tighten the adjustable screw of knuckle. Do not disengaged totally. Hold luminaire at selected angle and tighten the screw firmly.
6. Turn ON power and check for proper operation.

TRUNNION TYPE

PRECAUTION:

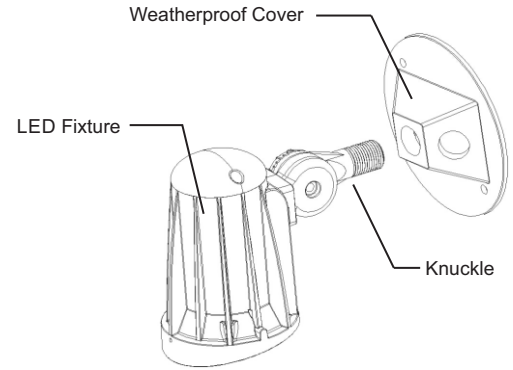
This luminaire is designed to be mounted directly to the wall or surface.

MOUNTING FOR WALLS/SURFACE:

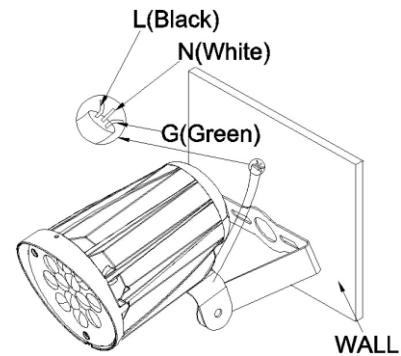
1. To prevent electrical shock, disconnect power from electrical supply before installation or service.
2. Check bracket screw hole and distance before start any installation. Screw/bolt is not provided. See bracket hole size/distance table and bracket dimensions according to model number.
3. Drill a hole and install luminaire.
4. Attach luminaire leads to line observing polarity, black to black, white to white and green to ground.
5. To adjust luminaire aiming angle, un-tighten the adjustable screw of trunnion. Do not disengaged totally. Hold luminaire at selected angle and tighten the screw firmly.
6. Turn ON power and check for proper operation.

BRACKET HOLE SIZE/DISTANCE

MODEL NO.:	SCREW HOLE DIA. inch (mm)	DISTANCE inch (mm)
LFL20-15W	0.25 (6.5)	1.18 (30)
LFL20-28W	0.25 (6.5)	2.17 (55)
LFL20-42W	0.25 (6.5)	2.17 (55)



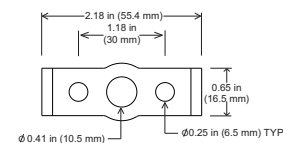
KNUCKLE TYPE



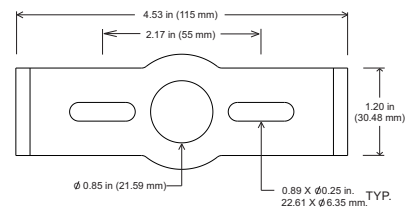
TRUNNION TYPE

NOTE: Illustrations are used for reference purposes only; actual fixture may differ on each luminaire.

BRACKET DIMENSIONS



LFL20-15W



LFL20-28W
LFL20-42W