

INSTALLATION INSTRUCTIONS



WARNING: All work must be performed by qualified electrician. Luminaire must be installed and grounded in accordance with the National Electrical Code (NEC) and local codes. Failure to do so may result in serious injury and/or damage to the luminaire.

WARNING: To avoid risk of fire, explosion, or electric shock, this product should be installed, inspected, and maintained by a qualified electrician only and in accordance with all applicable codes.

WARNING: To avoid electric shock:

Be certain electrical power is OFF before and during installation and maintenance.

Luminaire must be connected to a wiring system with an equipment grounding conductor.

WARNING:

Make sure the supply voltage is the same as the rated luminaire voltage.

Do not install where marked operating temperatures exceed the ignition temperature of the hazardous atmosphere.

Do not operate in ambient temperatures above those indicated on the luminaire nameplate.

Keep lens tightly closed when in operation.

NOTE: Protect all wiring connections with approved insulators rated at least 90°C/194°F.
Save these instructions for future reference.

Ambient Operating Temperatures: -30°C / -22°F to 50°C / 122°F

Suspension Kit Mount:

1. To prevent electrical shock, disconnect power from electrical supply before installation or service.
2. Check the fixture location and wiring location before installing the Adjustable Suspension Kit (Included).
3. Drill 2-holes on the ceiling to install hooks (by others) to be used for hanging adjustable suspension kit.
4. Install the adjustable suspension kit to the fixture at both ends. Fig 1.
5. Hang the fixture to the ceiling hook and adjust the length according to your height requirements. See Fig 2. for adjustment.
6. Choose and remove the suitable knock out, take the wires out through the hole, and connect the line wires, black to black, white to white and green to green.
7. Turn ON power and check for proper operation.

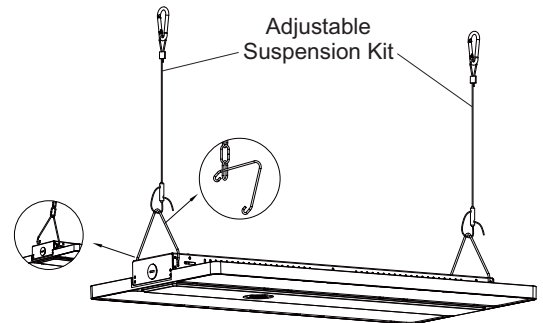


FIG. 1

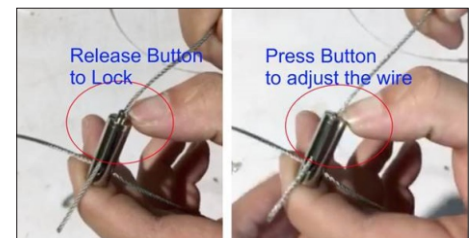


FIG. 2

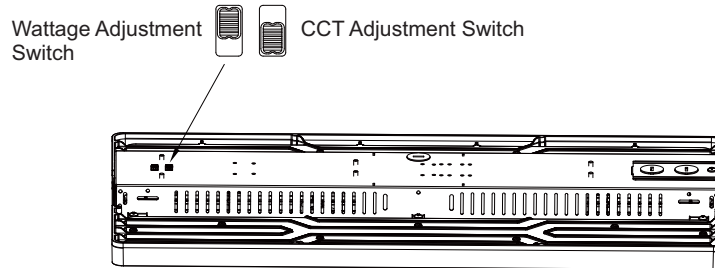
NOTE: Illustrations are used for reference purposes only; actual fixture may differ on each luminaire.

INSTALLATION INSTRUCTIONS

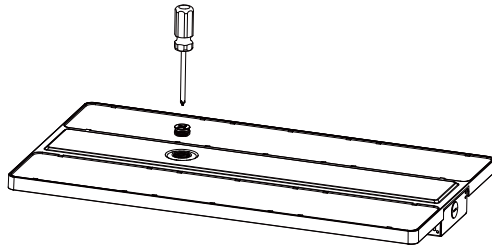
CCT and Wattage Adjustment Function and motion sensor optional:

All **AWC-LLHB4** Series Fixtures come with built-in CCT and Wattage adjustment switches, and motion sensor optional (Sold Separately).

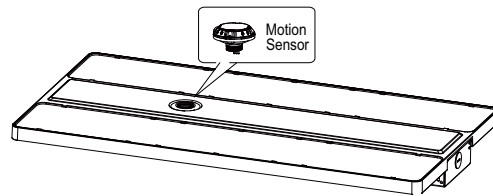
DO NOT SWITCH UNDER LOAD.



Adjustment Function



Remove 1/2" Plug



Install Motion Sensor
(sold separately)

Motion Sensor Installation

MODEL NO.	DLC Product ID	INPUT VOLTAGE	WATTAGES RANGE	CCT RANGE	MAX. INPUT AMP.	DIMMING
AWC-LLHB4-150W	S-5F1X7R	120~277V	110W/130W/150W	4000K/5000K	1.2A	0-10V/PWM/VR
AWC-LLHB4-220W	S-DMKHS4	120~277V	180W/200W/220W	4000K/5000K	1.8A	0-10V/PWM/VR

*The product can not be connected to a dimming device when it's equipped with Motion Sensor.

LLHB4 Accessories (Sold Separately):

MODEL NO.	DESCRIPTION
DMS1	DC MOTION SENSOR FOR AWC-LLHB4
DMS1-RC	REMOTE CONTROL FOR DMS1 SENSOR

After installation, please

- Check whether the lighting fixture is firmly fixed.
- Check whether wires are connected correctly.
- At last, turn on the power, and check if the lighting fixture works well. If not, please turn off the power and contact with your sales representative.

NOTE: Illustrations are used for reference purposes only; actual fixture may differ on each luminaire.