

INSTALLATION INSTRUCTIONS

WARNING: All work must be performed by qualified electrician. Luminaire must be installed and grounded in accordance with the National Electrical Code (NEC) and local codes. Failure to do so may result in serious injury and/or damage to the luminaire.

WARNING: To avoid risk of fire, explosion, or electric shock, this product should be installed, inspected, and maintained by a qualified electrician only and in accordance with all applicable codes.

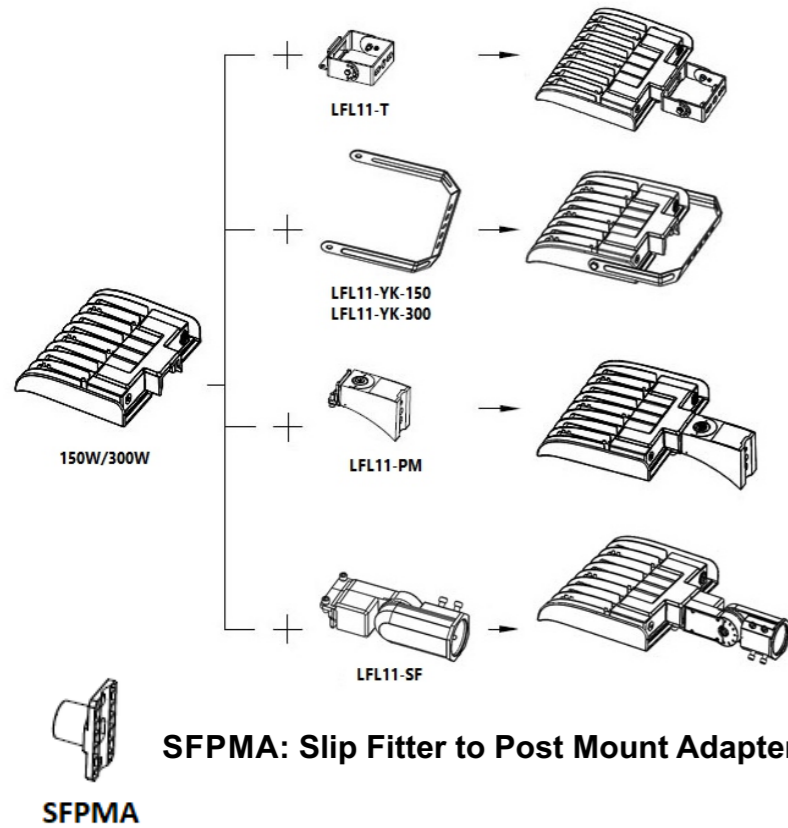
WARNING: To avoid electric shock: Be certain electrical power is OFF before and during installation and maintenance. Luminaire must be connected to a wiring system with an equipment grounding conductor.

WARNING: Make sure the supply voltage is the same as the rated luminaire voltage. Do not install where marked operating temperatures exceed the ignition temperature of the hazardous atmosphere. Do not operate in ambient temperatures above those indicated on the luminaire nameplate. Keep lens tightly closed when in operation. All the products cannot be installed on woods.

NOTE: For supply connections use wire rated for at least 90°C/194°F. Save these instructions for future reference.

Ambient Operating Temperatures: -40°C / -40°F to 40°C / 104°F
UL LISTED FOR WET LOCATION

Mounting Options, Faster Installation Design



NOTE: Illustrations are used for reference purposes only; actual fixture may differ on each luminaire.



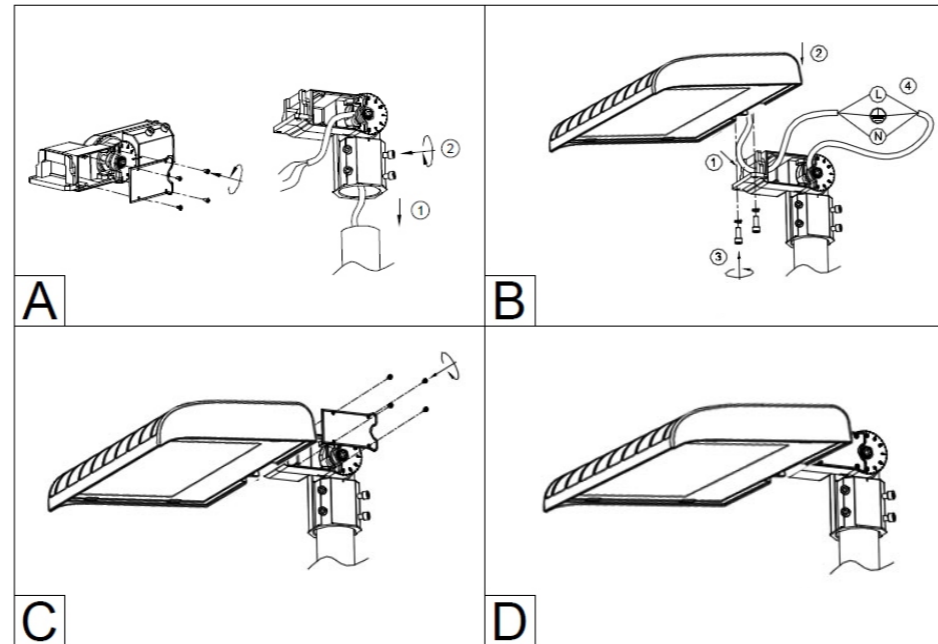
INSTALLATION INSTRUCTIONS

Refer to the following diagram when you install the fixture

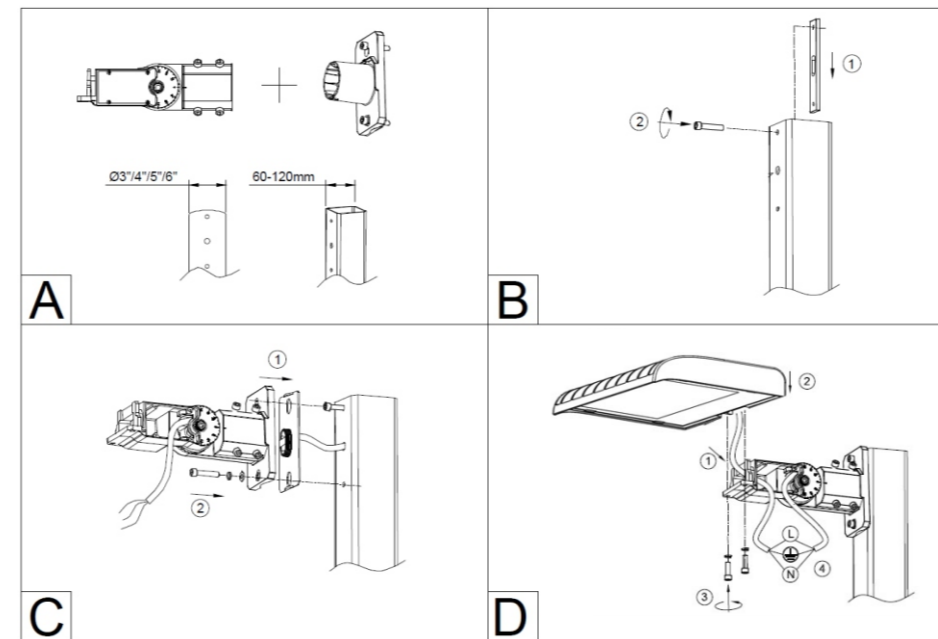
NOTE: To prevent electrical shock, disconnect power from electrical supply before installation or service.

1. SLIP FITTER TYPE

PRECAUTION: This luminaire is designed to be mounted on a pole or post up to 2-3/8" diameter only.



2. SLIP FITTER WITH ADAPTER



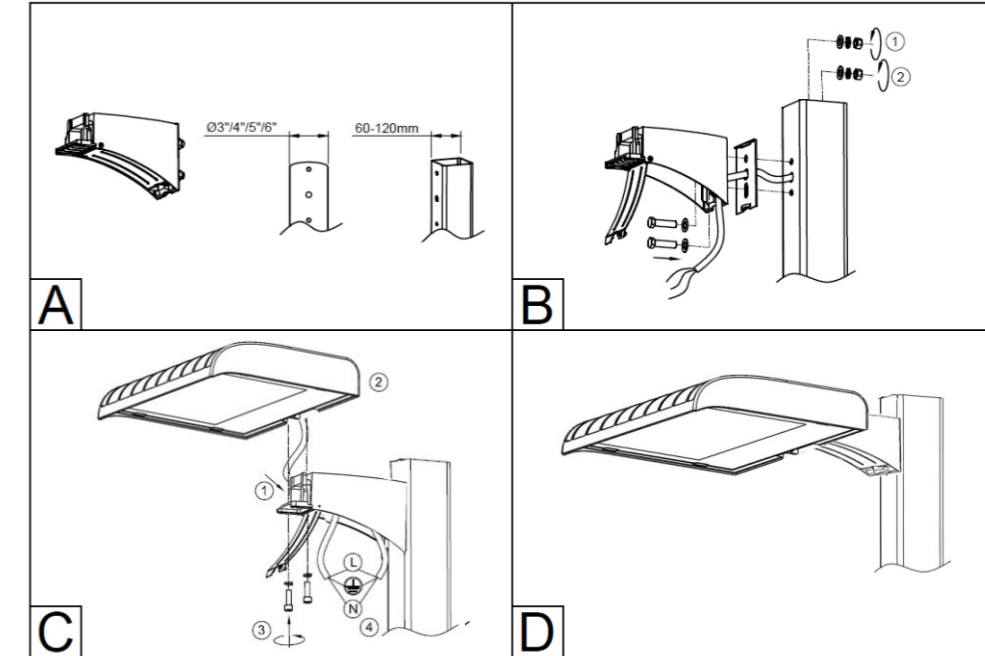
NOTE: Illustrations are used for reference purposes only; actual fixture may differ on each luminaire.



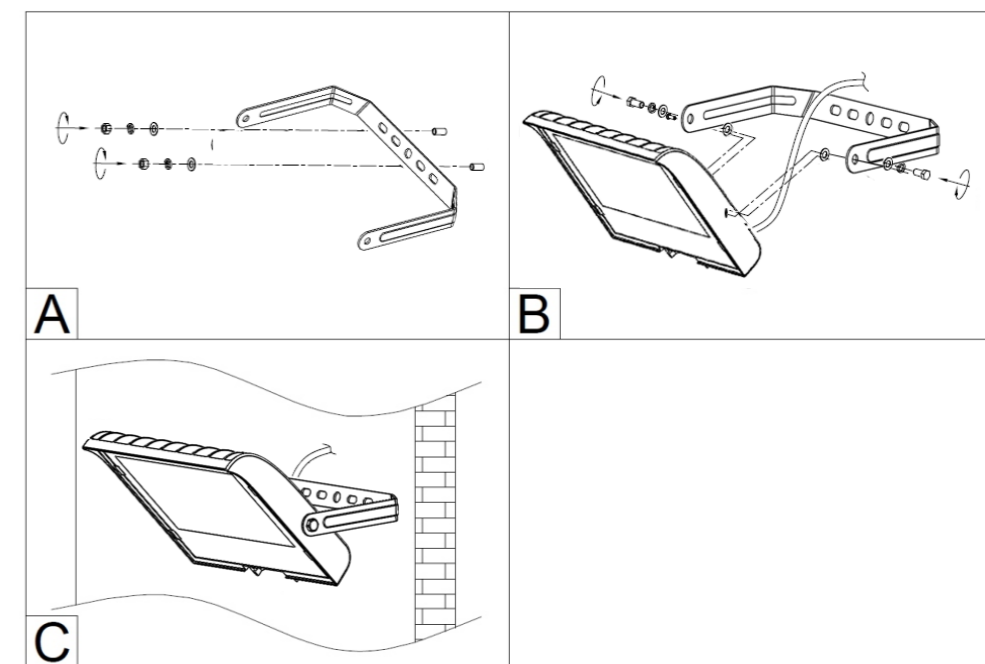
INSTALLATION INSTRUCTIONS

NOTE: To prevent electrical shock, disconnect power from electrical supply before installation or service.

3. POST MOUNT TYPE



4. YOKE MOUNT TYPE



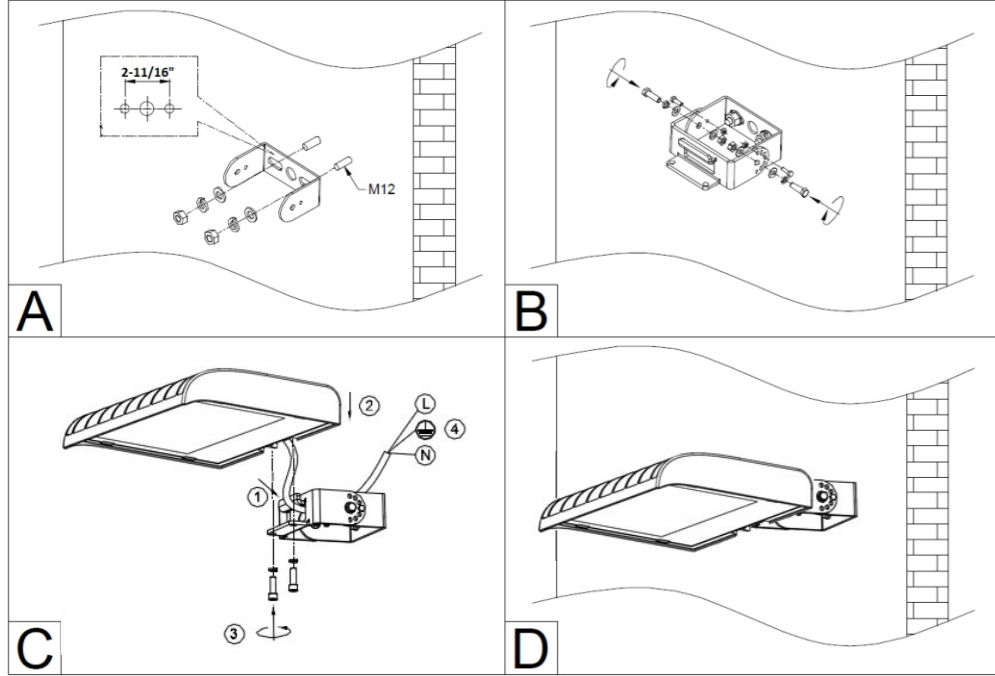
NOTE: Illustrations are used for reference purposes only; actual fixture may differ on each luminaire.



INSTALLATION INSTRUCTIONS

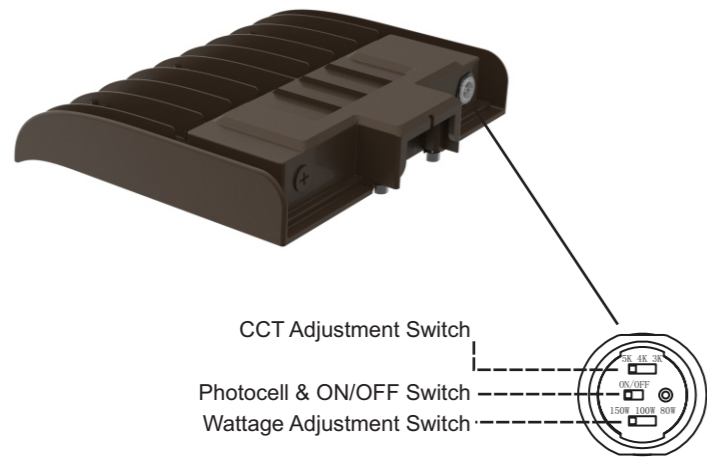
NOTE: To prevent electrical shock, disconnect power from electrical supply before installation or service.

5. TRUNNION MOUNT TYPE



3-IN-1 Switches: Photocell, CCT and Wattage Adjustment

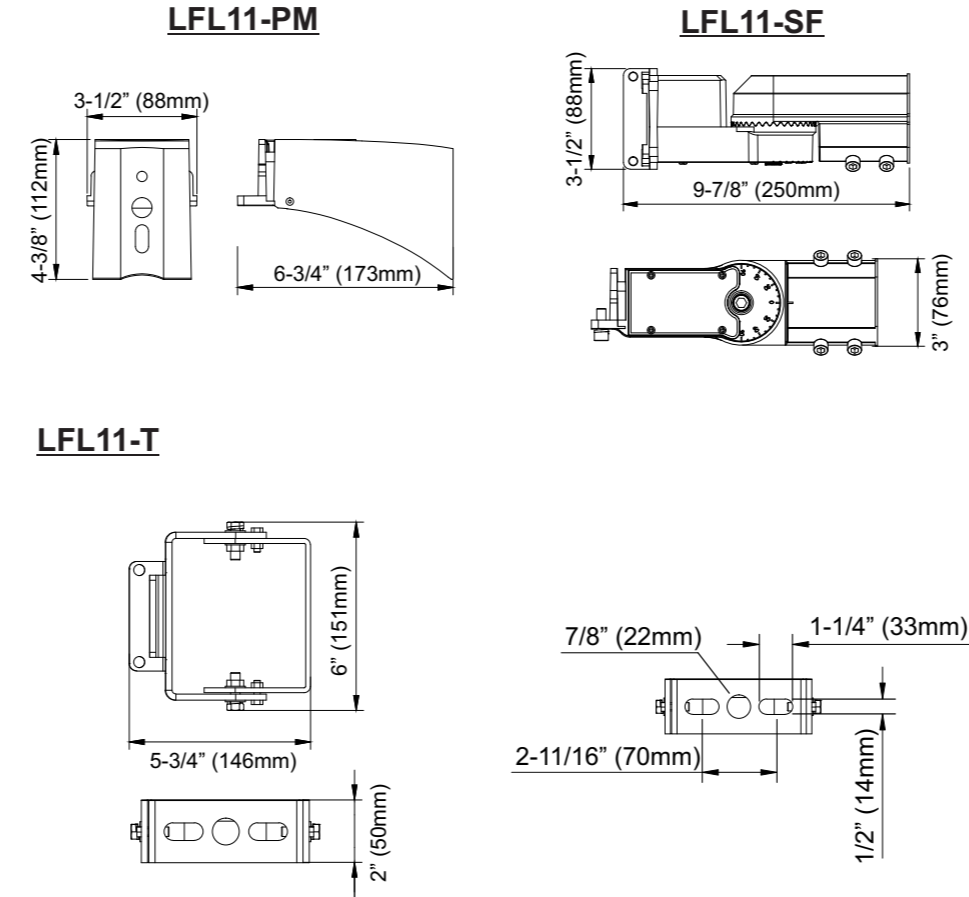
All **AWC-LFL11** Series Fixtures come with built-in photocell with ON/OFF switch and CCT and Wattage adjustment switches. Located on bottom of the fixture. **DO NOT SWITCH UNDER LOAD. KEEP PROTECTIVE COVER IN PLACE.**



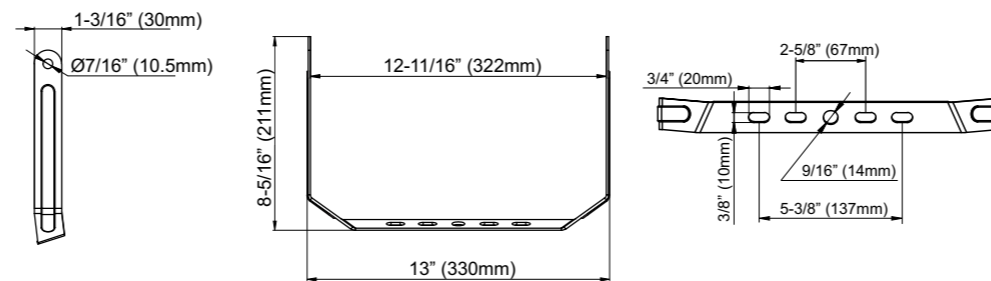
NOTE: Illustrations are used for reference purposes only; actual fixture may differ on each luminaire.

INSTALLATION INSTRUCTIONS

BRACKET DIMENSIONS - (BRACKET SOLD SEPARATELY)



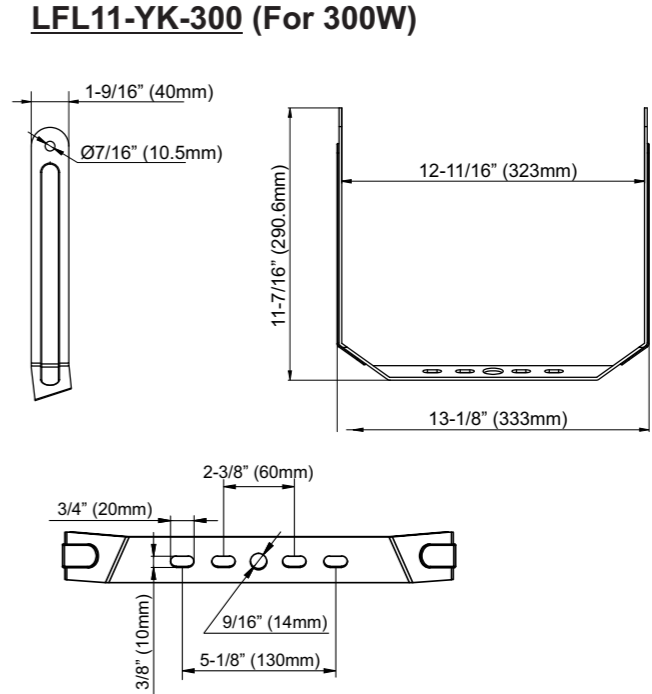
LFL11-YK-150 (For 150W)



NOTE: Illustrations are used for reference purposes only; actual fixture may differ on each luminaire.

INSTALLATION INSTRUCTIONS

BRACKET DIMENSIONS - (BRACKET SOLD SEPARATELY)



MODEL NO.	DLC Product ID	INPUT VOLTAGE	WATTAGE RANGE	CCT RANGE	MAX. INPUT AMP.	DIMMING
AWC-LFL11-150W-P	S-06MEAB / S-XRDQHY	120-277V	80W/100W/150W	3000K/4000K/5000K	1.62A	0-10V/PWM/VR
AWC-LFL11-300W-P	S-45YPK2 / S-S8VDHK	120-277V	200W/240W/300W	3000K/4000K/5000K	3.5A	0-10V/PWM/VR

After installation, please

- Check whether the lighting fixture is firmly fixed.
 - Check whether wires are connected correctly.
 - At last, turn on the power, and check if the lighting fixture works well.
- If not, please turn off the power and contact with your sales representative.