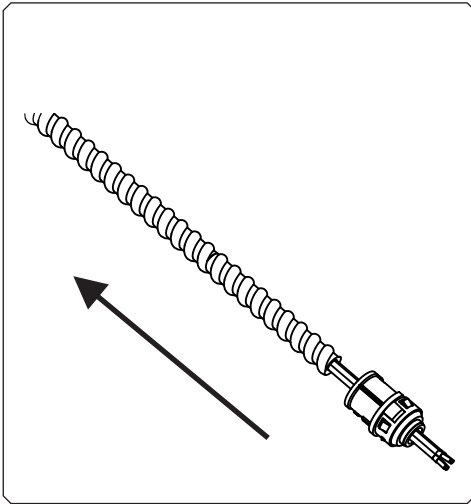
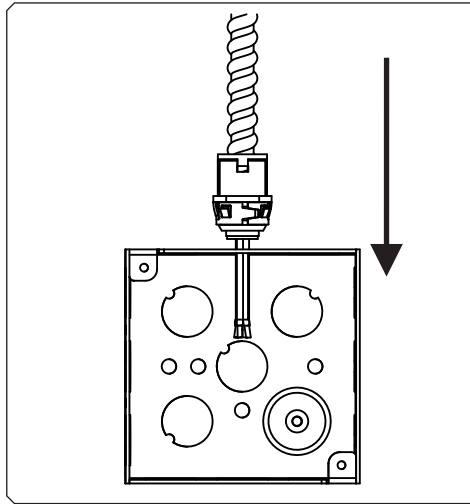


## INSTALLATION INSTRUCTIONS

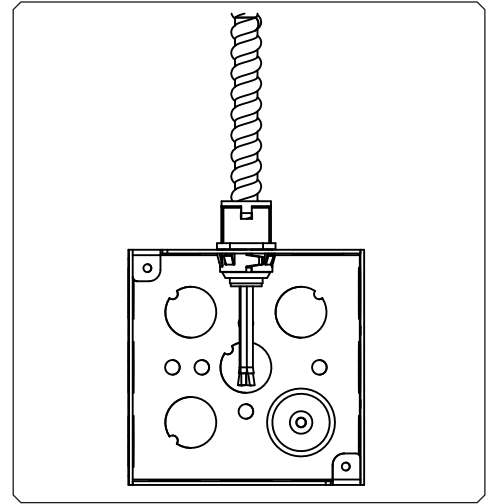
### Installation:



1. Snap the connector onto the cable until the cable reaches the Internal Stop



2. Snap assembly into the KO hole on the box

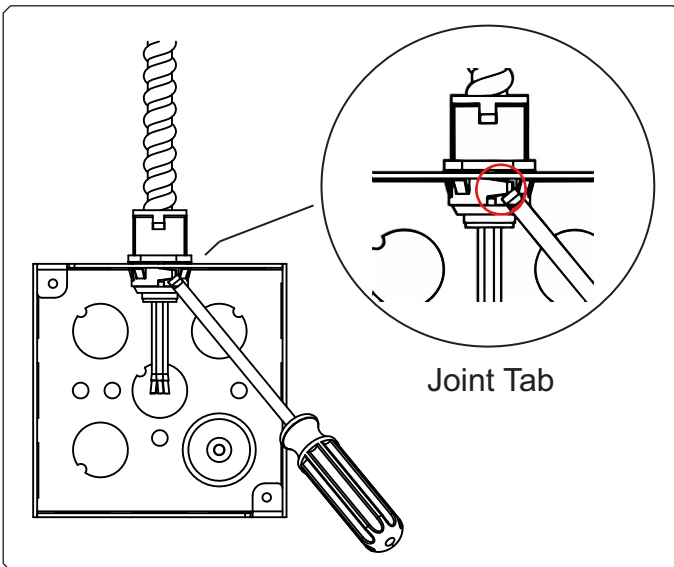


3. Make sure the connection between the connector and the box is secured

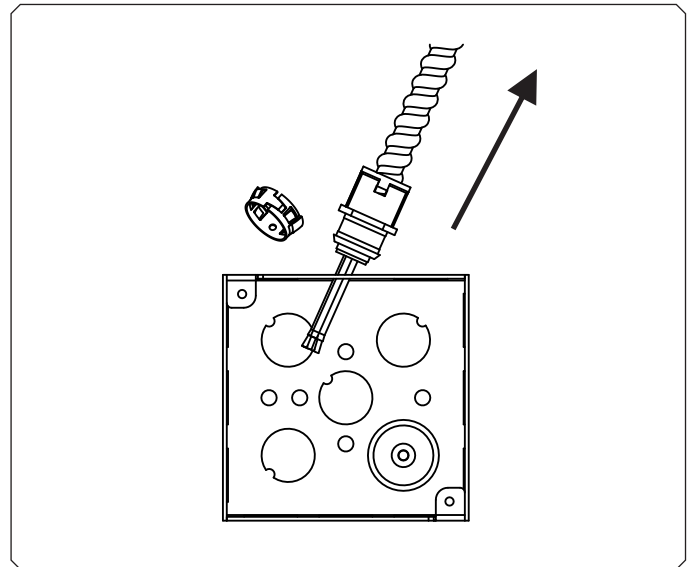
---

### Removal:

1. Rotate the ring with pliers or other tools until the locking tab is visible. Pull the tab up using a screwdriver



2. Remove the ring, then slide the connector out



Note: Connector can be reused by sliding the ring back in place