

FLAT BRACKET FAMILY

FLAT BRACKET FAMILY

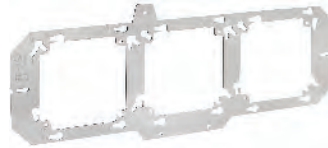
PRODUCT FEATURES

- ▶ Compatible with 4", 4-11/16" and 5" sq. boxes
- ▶ Allows 5" boxes to use 4" rings, reducing material costs
- ▶ 4" rings can be mounted on their own for low voltage applications using 8/32 screws
- ▶ Low profile design accepts up to 2" fittings
- ▶ Additional width and slotted mounting holes allow for extra flexibility on studs
- ▶ **KB-18, KFB-318, KFB-418** contain up to 6" Back Support for additional stability
- ▶ **KB-18** contains optional Stud Supports that can be folded out when installed between studs
- ▶ Compatible with Orbit's UL Adjustable Rings

Cat. No.	Description	Std. Pka.
FB-3	Flat Bracket for 3 Boxes on 16" Studs	25
FB-4	Flat Bracket for 4 Boxes on 24" Studs	25
*KB-18 <small>NEW</small>	Kick Bracket 1-Box Position 18" box center height w/CS-CJ6	10
KFB-318	Flat Bracket for 3 Boxes with 18" box center height kick stand for 16" studs w/CS-CJ6	10
*KFB-418	Flat Bracket for 4 Boxes with 18" box center height kick stand for 24" studs	10

*KB-18 Spec updated Jan. 2024

**ORBIT INDUSTRIES
EXCLUSIVE**



FB-3



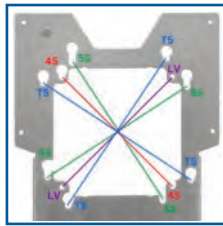
FB-4

Compatible with 5" Sq. Boxes!

NEW

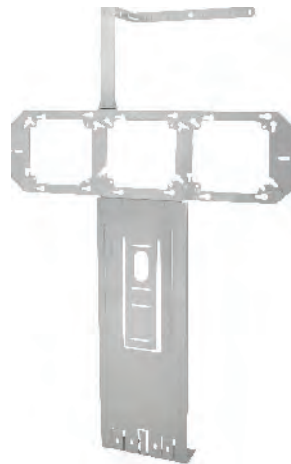


KB-18

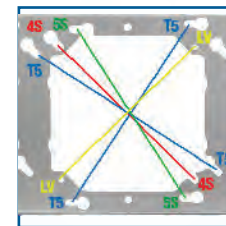


MOUNTING HOLES

Unique KB-18 key-hole pattern holds any size box in place when ring is removed

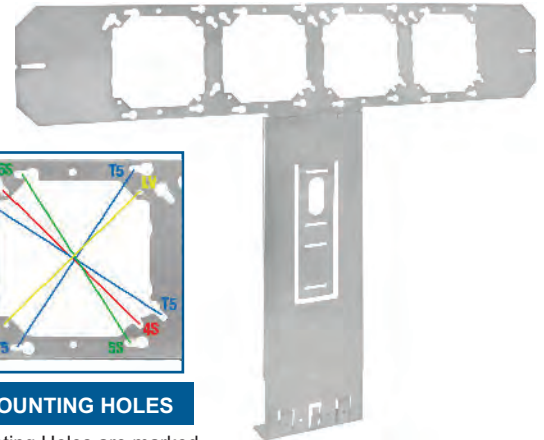


KFB-318



MOUNTING HOLES

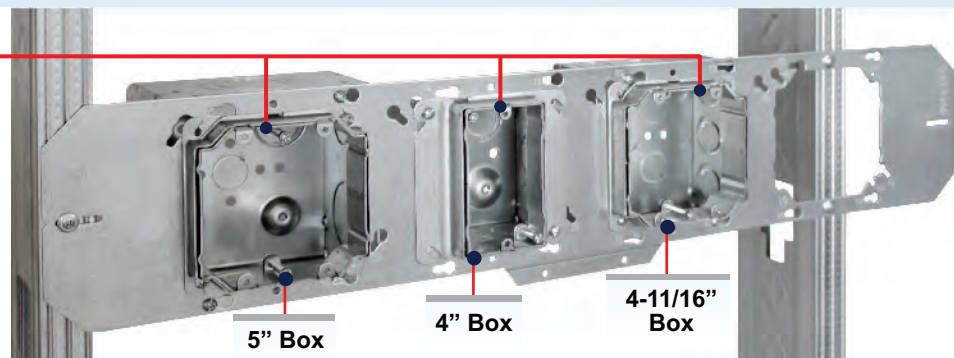
Mounting Holes are marked to easily identify box and ring placement



*KFB-418

FB-4 SHOWN INSTALLED

4" Ring Fits Any Size Box



5" Box

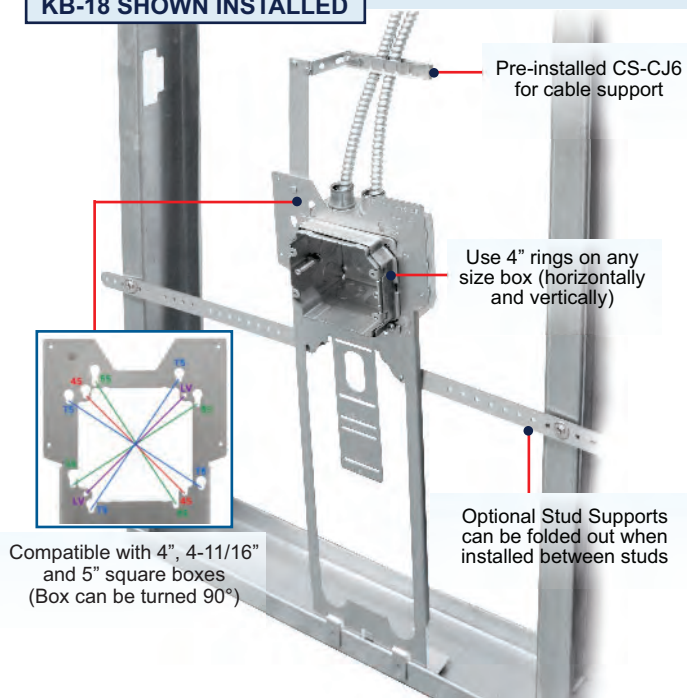
4" Box

4-11/16" Box

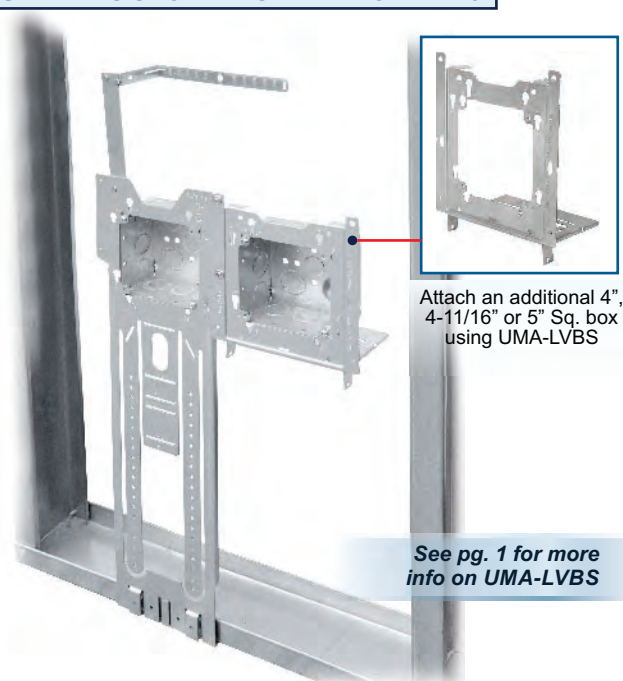
The Flat Bracket can be positioned to accommodate irregular stud spacings. FB-4 shown installed on 19" Stud Bay.

FLAT BRACKET FAMILY

KB-18 SHOWN INSTALLED



UMA-LVBS SHOWN INSTALLED ON KB-18



KFB-318 SHOWN INSTALLED

