

## 2-GANG FLIP & ROUND PLUG TYPE *COVERS*

### INCLUDES

- ▶ Cover
- ▶ Device Plate
- ▶ 20A Tamper-Resistant Receptacle
- ▶ Gasket & Screws

Assembly	Cover Only	Type	Receptacle	Finish	Std. Pkg.
FLB-DD-BR*	FLB-DD-C-BR	Flip	(2) 20A TR Duplex	Brass	10
FLB-DD-SS*	FLB-DD-C-SS	Flip	(2) 20A TR Duplex	Stainless Steel	10
FLB-R2G-DD-BR*	FLB-R2G-DD-C-BR	Round Plug	(2) 20A TR Duplex	Brass	10
FLB-R2G-DD-SS*	FLB-R2G-DD-C-SS	Round Plug	(2) 20A TR Duplex	Stainless Steel	10
FLB-R2G-DL-BR	FLB-R2G-DL-C-BR	Round Plug	20A TR Duplex + Keystone Jack Holder	Brass	10
FLB-R2G-DL-SS	FLB-R2G-DL-C-SS	Round Plug	20A TR Duplex + Keystone Jack Holder	Stainless Steel	10
FLB-DL-BR	FLB-DL-C-BR	Flip	20A TR Duplex + Keystone Jack Holder	Brass	10
FLB-DL-SS	FLB-DL-C-SS	Flip	20A TR Duplex + Keystone Jack Holder	Stainless Steel	10

Wiring Devices



FLB-DD-C-BR



FLB-DD-C-SS



FLB-R2G-DD-C-BR



FLB-R2G-DD-C-SS



FLB-R2G-DL-C-BR



FLB-R2G-DL-C-SS

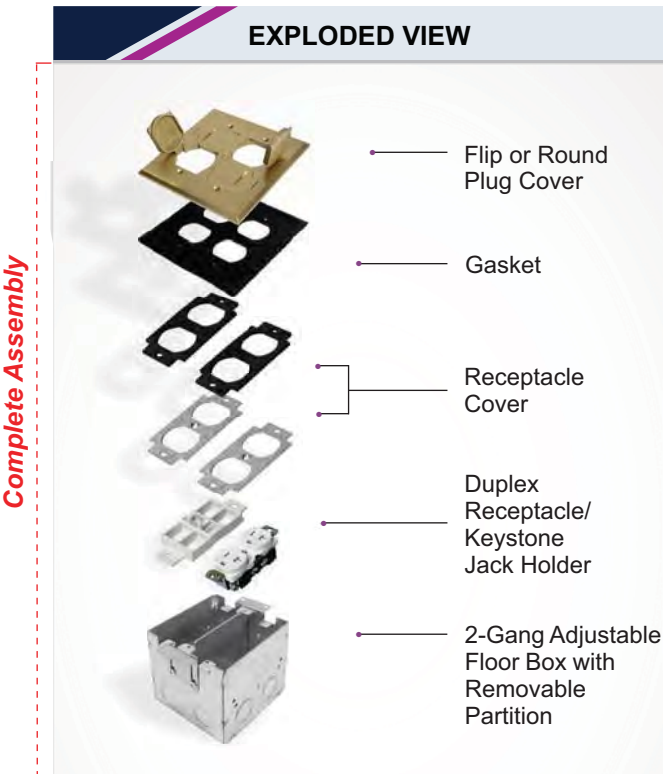


FLB-DL-C-BR



FLB-DL-C-SS

### EXPLODED VIEW



**FLB-R2G-DD-BR Shown Installed**  
Adjustable 0" - 1"