

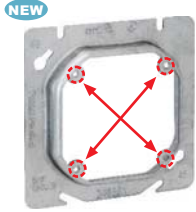
P25 | 40 Fixture Rings & Angled MC Cable Box

UNIVERSAL 4" & 4-11/16" SQ. TO 40 FIXTURE RINGS DRAWN

PRODUCT FEATURES

- ▶ Mounts 4" or 4-11/16" square boxes
- ▶ 4" octagon opening (3-1/2" O.C.)
- ▶ Four dual-direction mounting tabs with #8-32 threads
- ▶ Increase box fill volume by 95% versus deep 40 boxes
- ▶ Ideal for light fixtures, sensors, LED drivers, and other 40 devices
- ▶ For fixture/luminaire support of 50 lbs. or less
- ▶ 16 GA Sheet Steel

Cat. No.	Ring Depth	Cu. In.	Std. Pka.
54058X <small>NEW</small>	Raised 5/8"	7.5	50
54075X <small>NEW</small>	Raised 3/4"	8.8	50
54100X <small>NEW</small>	Raised 1"	11.8	50
54125X <small>NEW</small>	Raised 1-1/4"	14.5	50



54058X

EC&M
Product of the Year
2023 Category Winner



540X Series mounted on 4-11/16" Sq. Box between T-bar ceilings with SSB-TBAR



540X Series installed on 4SDB-MKO-FB mounted to ceiling joist



Fits 4" & 4-11/16" Square Boxes

PATENTED

4" SQUARE DEEP BOX WELED

2-1/8" DEEP

30.3 Cu. In.

WITH ANGLED METAL CLAD (BX/MC) CABLE CLAMPS

PRODUCT FEATURES

- ▶ Angled MC Clamps make it possible to secure metal clad cable with device ring installed
- ▶ Includes 10" Cu. #12AWG pigtail pre-installed with 10-32 ground screw
- ▶ Suitable for use with MCI-A
- ▶ Acceptable for use in 2-hour fire rated walls
- ▶ See pg. P1 for SSB-T5 & UMA spec. See pg. P7-8 for more 4SDB-AMC-PT Ready-To-Install products.

NOTE

- ▶ *For Fixture/Luminaire Support of 50 lbs or less

Cat. No.	Knockouts		Std. Pka.
	Sides	Bottom	
*4SDB-AMC-PT	(4) 1/2", (2) 1/2" -3/4" CKO, (4) Loom Priouts	(1) 1/2"	24
SSB-A4	Preassembled SSB-T5 w/ UMA & 4SDB-AMC-PT		12

PATENT PENDING

Video Available On Our Website!

READY TO INSTALL

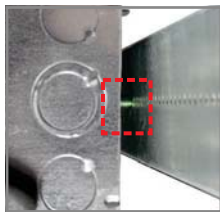


*4SDB-AMC-PT



SSB-A4

Angled MC Clamps make it possible to **secure metal clad cable with device ring installed**

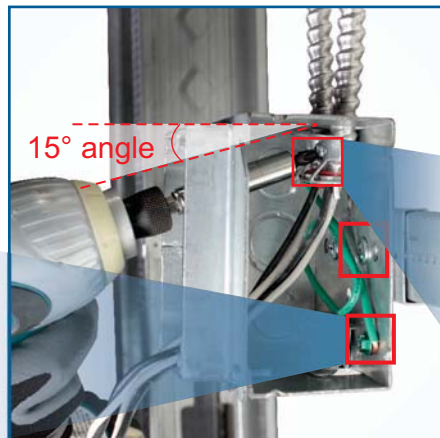


TRADITIONAL

Ground Screw Interference - does not mount directly to Box Brackets

4SDB-AMC-PT

Unique ground screw location allows fastening of box to any Adj. Box Bracket



Cut-away side view



4SDB-AMC-PT

MC Clamp screws set at a 15° angle, allowing MC cable to be secured with the mud ring still on!