

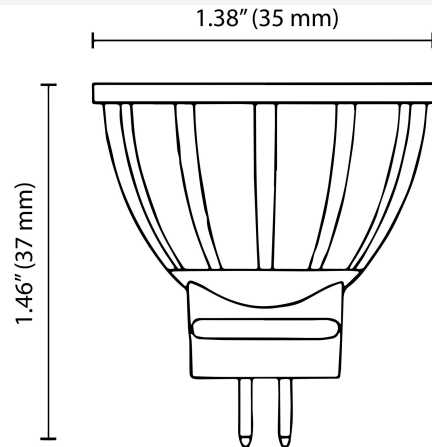


Catalog#: LMR11-3W
LED MR11, 3W 9~17V, GU4 BASE

Category LED
Page [H13](#)

Specifications:

Wattage: 3W
 Voltage: 9~17V
 Base: GU4
 Operating Temp: -4°F to +122°F
 Life Hours: 25,000
 Beam Angle: 38°
 Equivalent Wattage Rating: 20W Halogen MR11
 Warranty: 1 Year Warranty
 Certification



Catalog Number	UPC	Color Temperature	Emission Color	Lumens	CRI
LMR11-3W-WW	615624016292	3000K	Warm White	180 lm	85

