

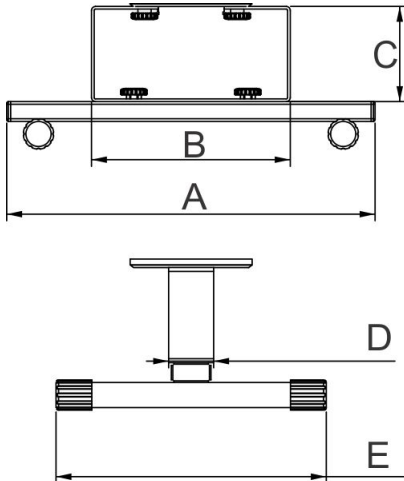
**Catalog#: LTL-FS**  
**FLOOR STAND BRACKET FOR LTL SERIES**

Category	LED
Page	<a href="#">H10</a>
Barcode	615624013147

**Features:**

Floor Stand Bracket for [LTL Series](#)

**Dimensions:**



(A) 10-7/8" x (B) 5-7/8" x (C) 2-13/16" x (D) 1-5/16" x (E) 8-1/16"

**Packaging Info:**

Individual Pkg	1
Std. Pkg	8

