



**Catalog#: EECMPL**

**MICRO LED EMERGENCY LIGHT/EXIT SIGN COMBO UNIT WITH BATTERY BACK-UP**

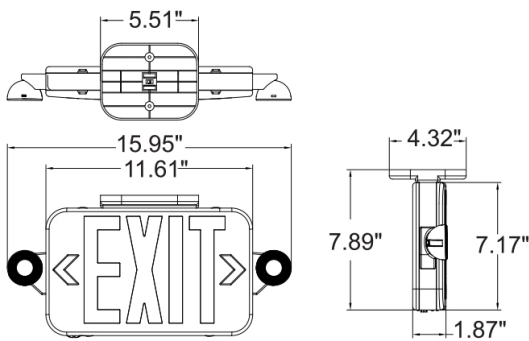
**Category**  
**Page**

Exit Sign & Emergency Light Combo  
[J12](#)

**Features:**

- Dual-Voltage Input 120/277VAC Operation
- UL Listed for Damp Location
- Long-lasting, Energy Saving LED Lamps
- 90 Minutes Minimum Emergency Operation
- Injection-Molded, 5VA Flame Retardant, High Impact, Thermoplastic
- Round Fully adjustable LED Lamp Heads packaged inside Exit Sign Housing for petite packaging (0.5W per lamp head)
- Universal Mounting Pattern
- Canopy for ceiling mounting included
- Easy Snap-out Chevrons Directional Indicators
- Extra Faceplated included for field conversion to Double-Face
- LED indicator light alerts occupant of battery level
- Push to Test Switch
- Maintenance free 3.6V, NiCd Battery
- Fully automatic operation

**Line Drawings:**



**Certifications:**



CAT NO	Housing Color	Letter Color	Options
EECMPL	W (White) B (Black)	R (Red) G (Green)	RC (Remote Capacity)

