


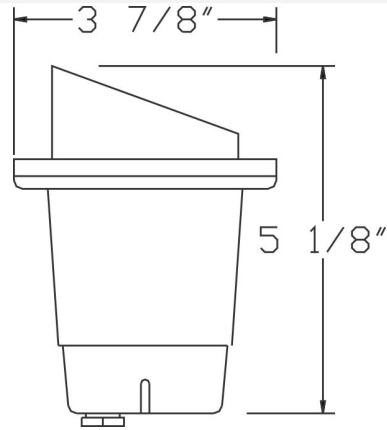


**Catalog#: SS5011M**  
**WELL LIGHT - MARINE GRADE FIXTURE, HOOD**

**Category** Landscape Lighting  
**Page** [115](#)

**Specifications:**

- Material Cast Marine Grade 316 Stainless Steel
- Voltage 12 Volts
- Lamp type: MR16 20W Lamp Included, 35W Max.
- Lens type Tempered Glass Lens
- Socket Premium grade Porcelain socket with Nickel contacts and Teflon-jacketed wire leads
- Gasket Sealed with high grade weatherproof Silicone Gasket
- Wiring Pre-wired with 24" SJT Cord
- Document [Installation Instructions](#)
- Certifications 



Cat. No.	Finish	UPC
*SS5011M	Premium Stainless Steel	615624374040

\*While Supplies Last

