



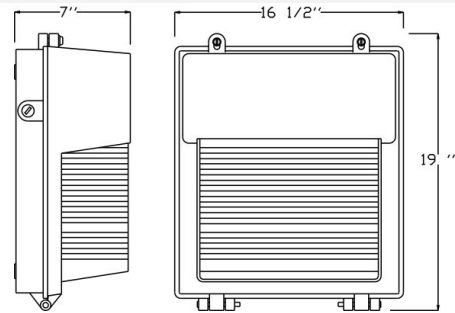
**Catalog#: HWP6 SERIES
 SLIM WALL PACK**

Category

Line Voltage

Features:

- Cast Aluminum Housing
- Slim line Wall Pack
- Borosilicate Molded Glass Lens
- Premium Grade Porcelain Socket-
- Pulse Rated
- Sealed with High Grade Weatherproof Silicone Gasket
- Pre-wired Teflon-jacketed 9" Pigtail
- Powder Coated Textured Bronze Finish
- Mogul-Base Socket
- 1/2 in. NPS Tapped Back and Sides for Conduit Entrance
- Lamp Included in all models
- Suitable for Wet Locations
- Pulse Start on Select Models



Cat. No.	Lamp	Lumens	CRI	Wattage	Ballast	UPC
*HWP6-MH400-PS	Metal Halide	33100 lm	65	400W	120/208/240/277V Quad Tap CWA	615624376426

*While Supplies Last

