



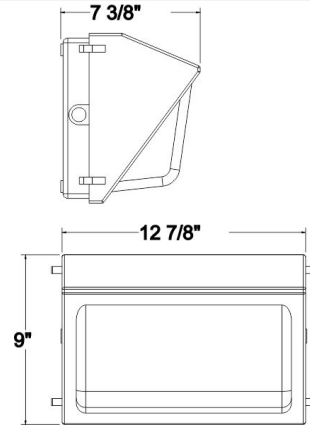
**Catalog#: HWP2 SERIES**  
**SMALL WALLPACK HWP2 SERIES**

**Category**

**Line Voltage**

**Features:**

- Borosilicate Molded Glass Lens
- Cast Aluminum Housing
- Premium grade Porcelain Socket-
- Pulse Rated
- Sealed with High Grade Weatherproof Silicone Gasket
- Pre-wired Teflon-jacketed 9" Pigtail
- Powder Coated Textured Bronze Finish
- Medium Base E26 Socket
- 1/2 in. NPS Tapped Back and Sides for Conduit Entrance
- Lamp Included in both models
- Suitable for Wet Locations
- Pulse Start in Select Models
- Optional Cutoff Shroud [[FCS-2](#)] Available



| Cat. No.     | Lamp                 | Lumens   | CRI | Wattage | Ballast  | UPC          |
|--------------|----------------------|----------|-----|---------|----------|--------------|
| *HWP2-HPS150 | High-Pressure Sodium | 16000 lm | 22  | 150W    | 120V NPF | 615624374941 |

\*While Supplies Last

