



Catalog#: ESL
THERMOPLASTIC AC ONLY LED EXIT SIGN

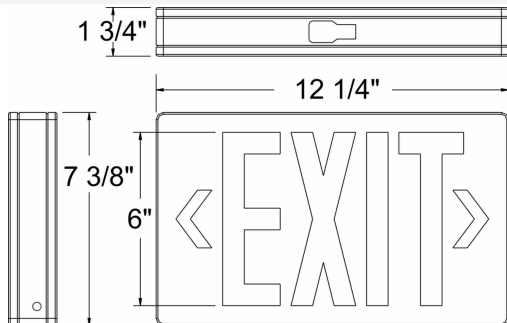
Category
Page

Exit Signs
[J8](#)

Features:

- Dual-Voltage Input 120/277VAC Operation
- UL Listed for Damp Location
- Long-lasting, Energy Saving LED Lamps
- Injection Molded, 5VA Flame Retardant, High Impact, Thermoplastic
- Universal Mounting Pattern
- Canopy for ceiling or end mounting included
- Easy Snap-out Chevrons Directional Indicators
- Extra Faceplate included for field conversion to Double-Face

Line Drawings:



Certifications:



CAT NO	Housing Color	Letter Color
ESL (AC Only)	W (White) B (Black)	R (Red) G (Green)

