



Catalog#: ESL2C
THERMOPLASTIC DUAL CIRCUIT LED EXIT SIGN (AC/GENERATOR BACK-UP)

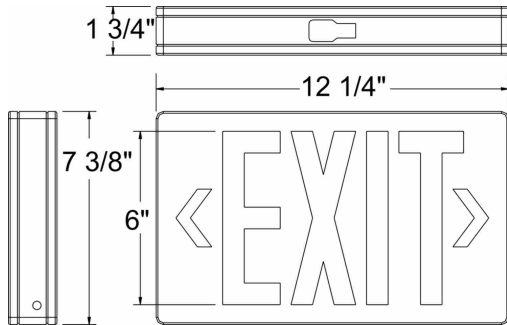
Category

Exit Signs

Features:

- Dual-Voltage Input 120/277VAC Operation
- UL Listed for Damp Location
- Long-lasting, Energy Saving LED Lamps
- Injection Molded, 5VA Flame Retardant, High Impact, Thermoplastic
- Universal Mounting Pattern
- Canopy for ceiling or end mounting included
- Easy Snap-out Chevrons Directional Indicators
- Extra Faceplate included for field conversion to Double-Face

Line Drawings:



Certifications:



CAT NO	Housing Color	Letter Color	Options
ESL	W (White)	R (Red) G (Green)	2C-120 (Dual-Circuit Op., 120V) 2C-277 (Dual-Circuit Op., 277V)

