


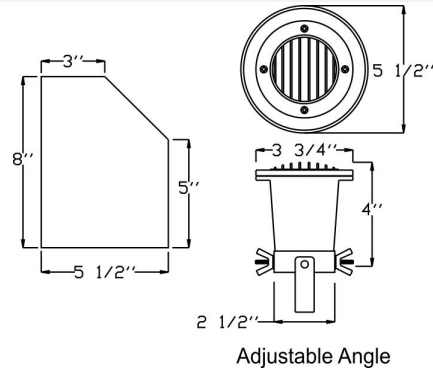


**Catalog#: 5012AP**  
**MR16 SPOT/WELL HOODED FIXTURE**

**Category** Landscape Lighting

**Specifications:**

Material	Cast Aluminum
Voltage	12 Volts
Lamp type:	MR16 20W Lamp Included, 35W Max.
Lens type	Tempered Glass Lens
Socket	Premium grade Porcelain socket with Nickel contacts and Teflon-jacketed wire leads
Gasket	Sealed with high grade weatherproof Silicone Gasket
Wiring	Pre-wired with 24" SJT Cord
Accessories	Adjustable Direction Lamp Bracket- Tilts $\pm 25^\circ$
Document	<a href="#">Installation Instructions</a>
Certifications	



Cat. No.	Finish	UPC
5012AP-BK	Black	615624269766
5012AP-BR	Bronze	615624269773

